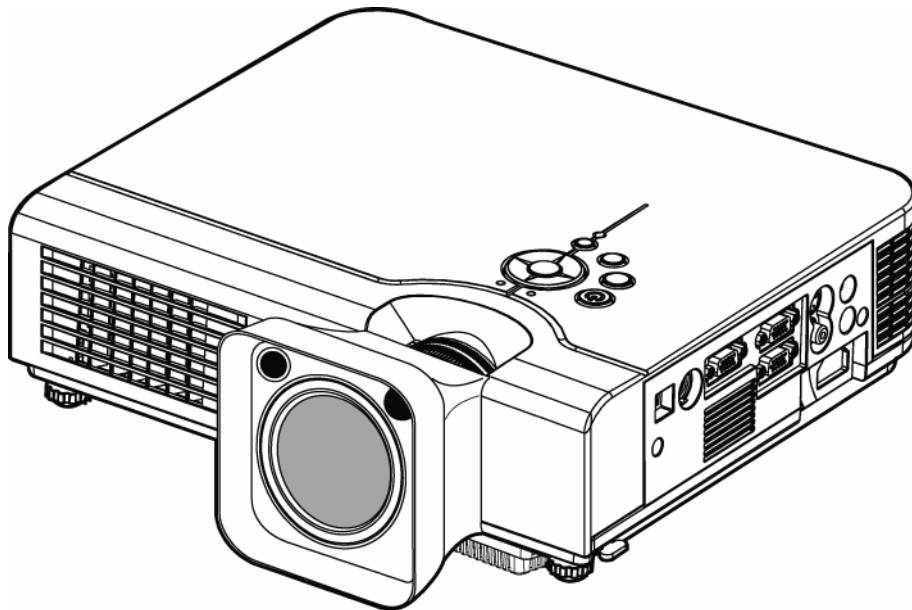


# EIKI

## MULTIMEDIA PROJECTOR

---



# LC-XWP2000 OWNER'S MANUAL

## About owner's manual

Please read owner's manual thoroughly to ensure correct usage of the projector and its features. After reading, store owner's manual in a safe place for future reference.

## Features

1. Design with 3LCD optical system.
2. Auto V keystone function, +/- 30 degrees.
3. Auto brightness control.
4. Auto ceiling function.
5. Extreme Short Throw Distance.

The content of this manual is subject to change without period notice. All rights reserved.

<b>About owner's manual</b> .....	<b>1</b>
<b>Contents</b> .....	<b>2</b>
<b>Safety Instructions</b> .....	<b>4</b>
<b>Product Safety Labels</b> .....	<b>9</b>
<b>Checking the Package Contents</b> .....	<b>10</b>
<b>Part Names and Functions</b> .....	<b>11</b>
Main Unit .....	11
Control Panel .....	13
Rear View I/O Board .....	15
Bottom View .....	17
Remote Control .....	18
Remote Control Batteries Installation .....	19
<b>Installation</b> .....	<b>20</b>
Setting Up the Projector .....	20
Screen size and Projection Distance .....	22
Adjusting the Image Position .....	23
Moving the Projector .....	24
Turning on the Projector.....	25
Connecting PC to the Projector .....	27
Connecting Video to the Projector.....	30
<b>How to connect</b> .....	<b>28</b>
Desktop PC .....	28
Laptop PC .....	29
Video .....	30
<b>Basic Operation</b> .....	<b>32</b>
Turning on the Projector-Procedure .....	32
Turning off the Projector .....	34
Adjusting the Screen Image .....	35

Functions of Menu(OSD) .....	36
Keypad Operating .....	36
Computer Mode .....	37
Reset Lamp Timer.....	43
Video mode .....	44
Appendix .....	50
Technical Specifications .....	50
Maintenance and Troubleshooting .....	51
Ceiling Mounted Installation Guide.....	51
Cleaning the Projector.....	52
Cleaning the Lens.....	52
Cleaning Air Filter.....	52
Lamp Replacement .....	53
Indicators .....	54
List of Support Display Modes .....	56
Configurations of Terminal .....	57



## Safety Instructions



### **WARNING**

This symbol indicates information that, if ignored, could possibly result in personal injury or even death.



### **CAUTION**

This symbol indicates information that, if ignored, could result in personal injury or physical damage.

## Typical Symbols



This symbol indicates an additional warning (including cautions).

An illustration is provided to clarify the contents (for example: the illustration to the left indicates danger of electrical shock).



This symbol indicates a prohibited action. The contents will be clearly indicated in an illustration or description near the symbol (for example: the symbol to the left indicates that disassembly is prohibited).



This symbol indicates a compulsory action. The contents will be clearly indicated in an illustration or description near the symbol (for example : the symbol to the left shows that the power plug should be disconnected from the power outlet).

 **WARNING**

**If a problem should occur**

If smoke or strange odors arise, continued use could result in fire or electrical shock. In such case, immediately turn off the power switch and then disconnect the power plug from the power outlet. After making sure that the smoke or odor has stopped, contact your dealer for repairs. Never attempt to make repairs yourself because this is dangerous.

Do not use this projector if there is no image or sound, or if the sound is distorted. Continued use could result in fire or electrical shock. In such case, immediately turn off the power switch; disconnect the power plug from the power outlet and contact your dealer.

If water would enter the inside of this projector, immediately turn off the power switch, disconnect the power plug from the power outlet and contact your dealer.

**Do not install on an unstable surface.**

Do not install this projector on an unstable surface such as a wobbly stand or incline because this could result in the projector falling and causing injury.



**Do not open the cabinet.**

Never open the cabinet. There is high voltage inside which can cause electrical shock. Contact your dealer for internal inspection, adjustment and repair.



**Do not modify.**

Do not modify this projector because this could result in fire or electrical shock.

**Do not use in the bathroom or near water site.**

Do not expose this unit to rain or use near water... for example, in the bathroom, a wet basement, near a swimming pool, etc...

**Do not insert objects into the Projector.**

Do not insert metal objects through the ventilation openings, etc., of this projector or drop such objects inside because this could result in fire or electrical shock.

**If a foreign object should enter this projector, immediately turn off the power switch, disconnect the power plug from the power outlet and contact your dealer.**

Continued use could result in fire or electrical shock. Use special caution in household and where children are present.

 **WARNING**

**Do not look through the lens when the lamp is on.**

Never look through the lens when the lamp is on. The powerful light could adversely affect vision. Use special caution in households where children are present.



**Avoid shock or impact on the projector.**

If the projector should fall, resulting in damage to the cabinet, immediately turn off the power switch, disconnect the power plug from the power outlet and contact your dealer.

Continued use could result in fire or electrical shock.

**Do not place this projector in a container containing liquid. Do not place flower vases, flowerpots, cups, cosmetics, liquids such as water, etc., on top of this projector.**

**Do not use any power cable except those supplied with the projector.**

The use of any other power cable could result in fire or electrical shock.



**Do not shine the laser beam onto yourself or other.**

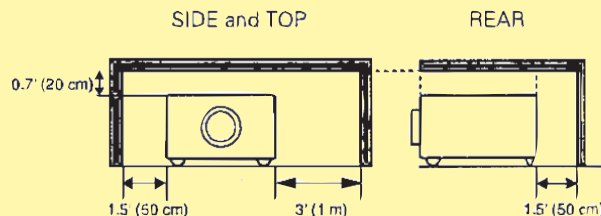
The laser pointer function of projector remote control emits class II laser beam. Do not look directly into the laser beam outlet or direct the laser beam at other people. Vision can be impaired if the laser beam enters the eyes.

Especially pay attention if children are present.

**High temperatures are generated when the lamp is lit; so do not place objects in front of the lens.**

Allowing the proper amount of space on the top, sides, and rear of the projector cabinet is critical for proper air circulation and cooling of the unit.

The dimension shown here indicate the minimum space required. If the projector is to be built into a compartment or similarly enclosed, these minimum distances must be maintained.



 **CAUTION**

Placing heavy objects on top of this projector could result in loss of balance or falling and cause personal injury or damage the projector.

**Do not block th ventilation openings.**



**Do not block the ventilatoin openings of this projector.**

Blocking ventilation could lead to internal overheating which could result in fire.

Do not place this projector on its side during use or push it into a small, poorly ventilated location.

Do not place this projector on a carpet or bedding or cover it with a tablecloth, etc. Also, when installing this projector, make sure the ventilation openings are at least 30 cm (12 inch) clearance around the projector.

**Care and maintenance.**

For safety purposes, disconnect the power plug from the power outlet before starting the care and maintenance of this projector.

**Battery usage**

Replace the batteries with the same type only.

Do not mix old and new batteries; this could result in fire or personal injury due to battery cracking or leakage.



Make sure the plus and minus terminals are correctly aligned when loading the batteries. Incorrect loading could redult in personal injury or contamination of the surroundings due to battery cracking or leakage.

Have the projector interior cleaned regularly.

Contact your dealer to arrange for the service.

Accumulations of dust inside the projector can result in fire or malfunction if not cleaned for an extended period.

**Ask your dealer for details about internal cleaning.**



**⚠ CAUTION**

Avoid installation in humid or dusty locations. Do not install this projector in a humid or dusty location. This could result in fire or electrical shock.

Do not handle the power cord roughly. Keep the power cord away from heaters; The heat could melt the power cord and cause fire or electrical shock.

Do not touch the power plug with wet hands; This could result in electrical shock.



When disconnecting the power plug, do not pull on the power cord. This could damage the power cord and cause fire or electrical shock. Always grip the plug when disconnecting.

When the projector is not to be used for an extended period.

If the projector is not to be used for an extended period because of travel, etc., disconnect the power plug from the power outlet and replace lens cover.

Compliance

Federal communications Commission Notice

This equipment has been tested and found to comply with the limits for a Class B digital device, pursuant to part 15 of the FCC Rules. These limits are designed to provide reasonable protection against harmful interference in a residential installation. This equipment generates, uses, and can radiate radio frequency energy and, if not installed and used in accordance with the instructions, may cause harmful interference to radio communications. However, there is no guarantee that interference will not occur in a particular installation. If this equipment does cause harmful interference to radio or television reception, which can be determined by turning the equipment off and on, the user is encouraged to try to correct the interference by one or more of the following measures:

- Reorient or relocate the receiving antenna.
- Increase the separation between the equipment and receiver.
- Connect the equipment into an outlet on a circuit different from that to which the receiver is connected.
- Consult the dealer or an experienced radio/TV technician for help.

Use of shielded cable is required to comply with class B limits in Subpart B of Part 15 of FCC Rules.

Do not make any changes or modifications to the equipment unless otherwise specified in the instructions. If such changes or modifications should be made, you could be required to stop operation of the equipment.

**Model Number(s): LC-XWP2000**

**Trade Name: EIKI**

**Responsible party: EIKI**

**Address : 30251 Esperanza Rancho Santa Margarita CA 92688-2132 U.S.A.**

**Telephone No. : 800-242-3454(949-457-0200)**

NOTE: This symbol and recycle system are applied only to EU countries in the other area of world.



Your EIKI product is designed and manufactured with high quality materials and components which can be recycled and reused.

This symbol means that electrical and electronic equipment, at their end-of-life, should be disposed of separately from your household waste.

Please dispose of this equipment at your local community waste collection/recycling centre.

In the European Union there are separate collection systems for used electrical and electronic products. Please help us to conserve the environment we live in !

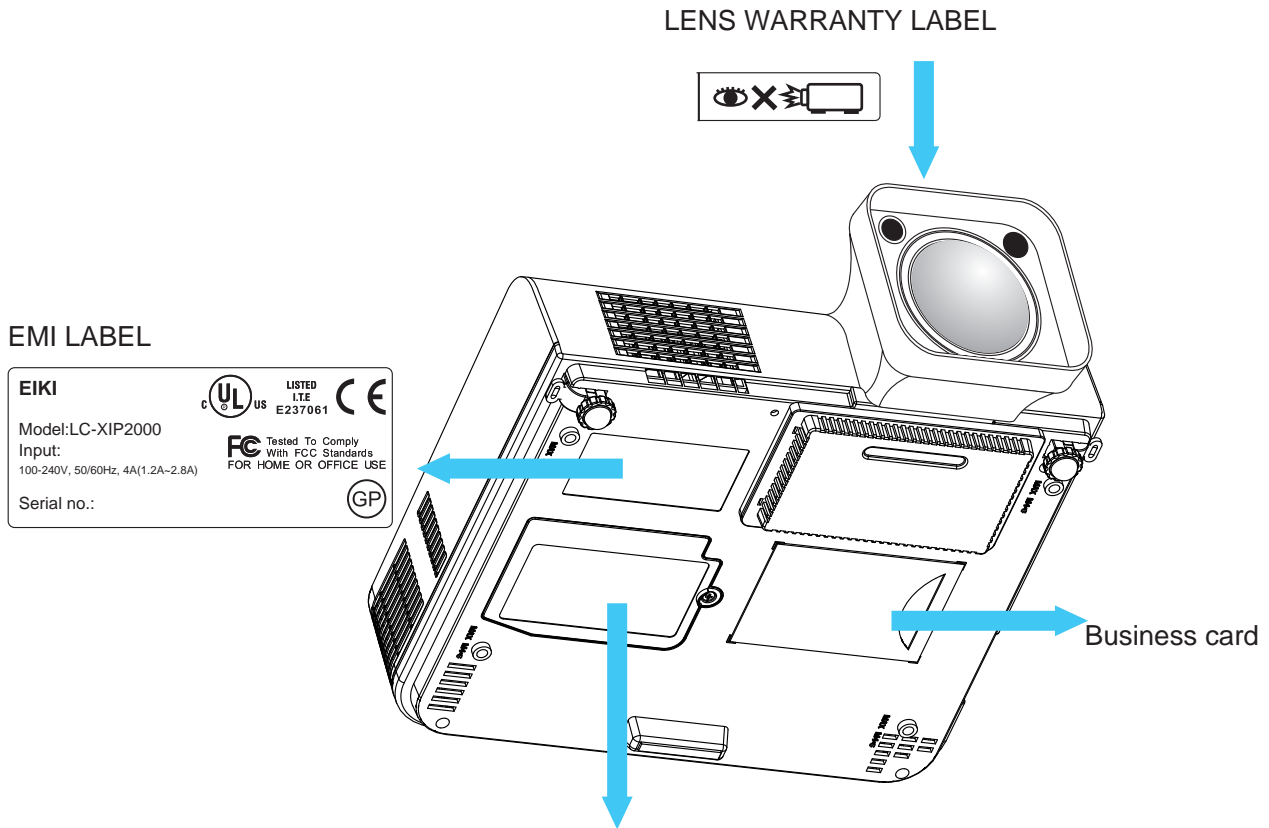


Voor de klanten in Nederland  
Bij dit product zijn batterijen geleverd.

Wanneer deze leeg zijn, moet u ze niet weggooien maar inleveren als KCA.

## Product safety labels

Safety labels are used on or within the projector to alert you to items or areas requiring your attention.



### EMI LABEL

**EIKI**

Model: LC-XIP2000  
 Input: 100-240V, 50/60Hz, 4A(1.2A-2.8A)  
 Serial no.:

UL LISTED I.T.E. E237061  
 CE  
 FC Tested To Comply With FCC Standards FOR HOME OR OFFICE USE  
 GP

### LENS WARRANTY LABEL

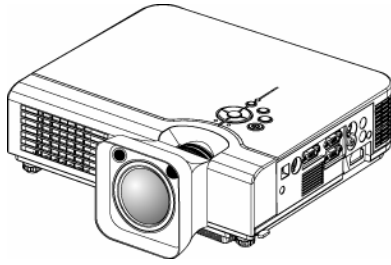


### LAMP WARRANTY LABEL

<p></p> <p><b>CAUTION:</b> Turn off power before opening this lamp cover. Only authorized personnel are allowed to open the light bulb cover as well as replacing the bulb.</p> <p><b>WARNUNG:</b> Vor dem Öffnen dieser Abdeckung (Ge)flit ausschalten. Der Austausch der Lampe darf nur von Fachpersonal erfolgen. Ersetzen Sie die Lampe nur mit dem gleichen Typ.</p> <p><b>ATTENZIONE:</b> Spegnerc l'alimentazione principale prima di aprire questo coperchio della lampada. La copertura di questo bulbo elettrico può essere aperta solo dal personale addeito, non può essere aperta personalmente.</p> <p><b>ATTENTION:</b> Couper l'alimentation principale avant d'ouvrir le couvercle de la lampe. Seuls les membres du personnel sont autorisés à ouvrir le couvercle de cette ampoule, à ne surtout pas ouvrir soi-même.</p> <p><b>PRECAUCION:</b> Desconecte la alimentación de corriente al aparato antes de abrir la tapa de la lámpara. Solo personal autorizado puede abrir la cubierta de la bombilla. No lo abra usted mismo.</p> <p><b>警告:</b> 请在关闭电源后方可开启主灯盖。只有维修人员能允许开启此盖并换灯动作。切勿自行开启。</p>	<p></p> <p><b>CAUTION:</b> High temperature. Do not replace the lamp for at least 1 hour after power off.</p> <p><b>WARNUNG:</b> Hohe Temperatur im Inneren! Warten Sie eine Stunde, um die Lampe ausreichend abkühlen zu lassen.</p> <p><b>ATTENZIONE:</b> Temperatura elevata. Lasciare passare almeno 1 ora dopo aver aperto l'alimentazione principale prima di sostituire la lampada.</p> <p><b>ATTENTION:</b> Température élevée. Attendez 1 heure après avoir coupé l'alimentation principale avant de remplacer la lampe.</p> <p><b>PRECAUCION:</b> Alta temperatura. No reemplaza la lámpara hasta por lo menos 1 hora después de haber desconectado la alimentación de corriente al aparato.</p> <p><b>警告:</b> 此外为高温,请在电源关闭後等待1小时方可进行换灯动作。</p>	<p></p> <p><b>CAUTION:</b> High-pressure lamp may explode if improperly handled.</p> <p><b>WARNUNG:</b> Die Hochdrucklampe kann bei falscher Handhabung explodieren.</p> <p><b>ATTENZIONE:</b> Lampada ad alta pressione, può esplodere se trattata erroneamente.</p> <p><b>ATTENTION:</b> La lampe à haute pression peut exploser si elle est manipulée incorrectement.</p> <p><b>PRECAUCION:</b> La lámpara de alta presión podría explotar debido a una manipulación incorrecta.</p> <p><b>警告:</b> 本产品使用高压灯泡,不当的操作可能会导致爆炸。</p>
---	---	--

## Checking the Package Contents

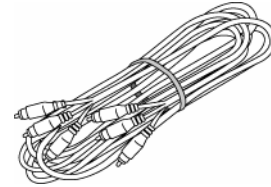
Projector



Remote Control  
with batteries



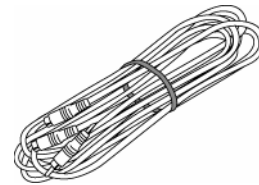
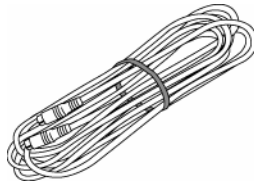
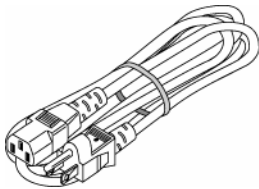
Video Cable



Power Cord

S-Video Cable

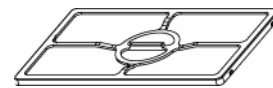
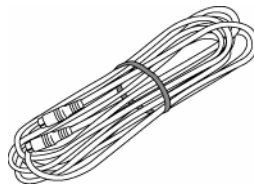
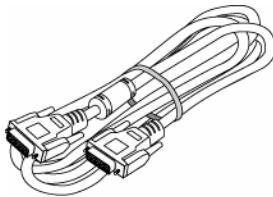
Audio Cable



Computer cable

Speaker Cable

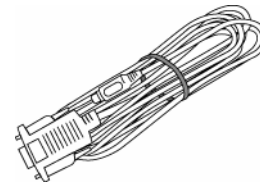
Filter



Quick Start Guide  
/ Owner's Manual CD

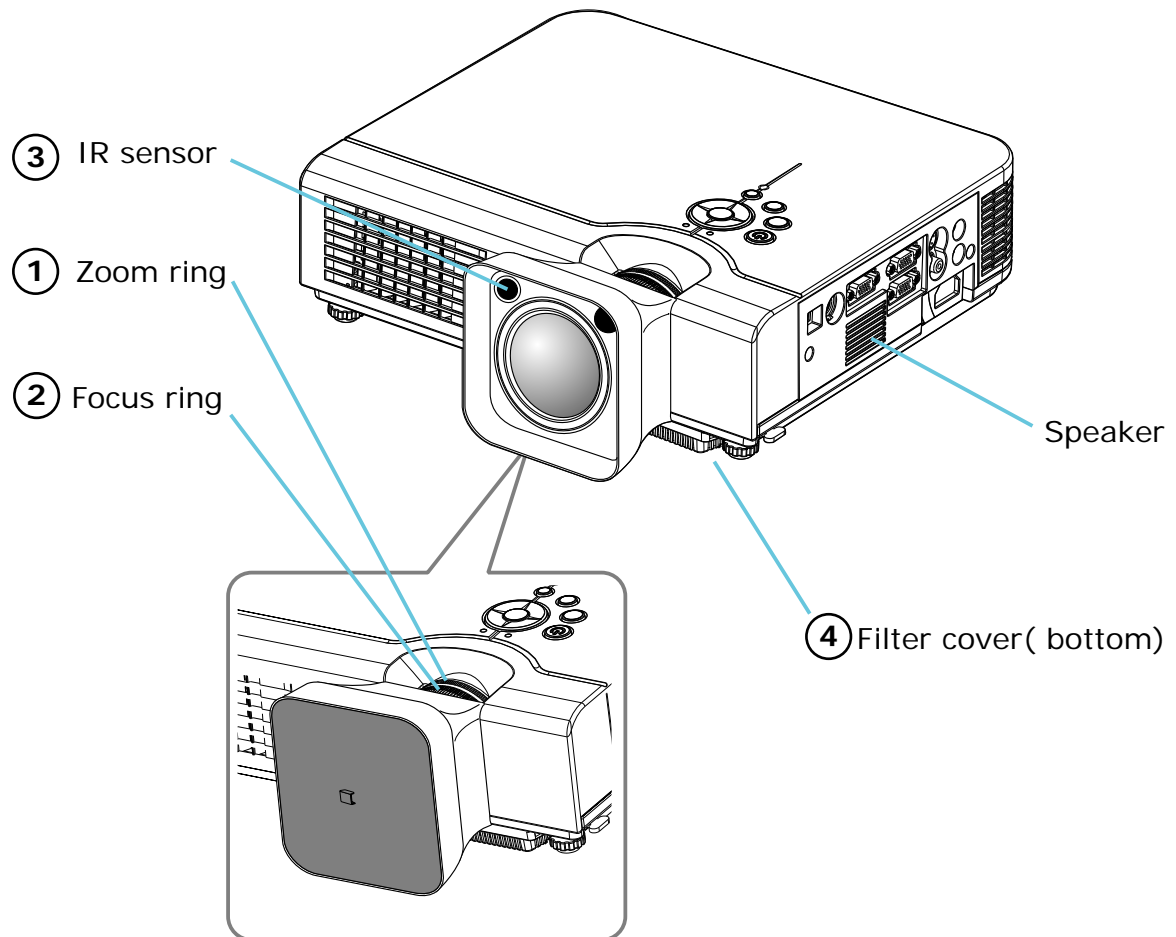
Carry Bag  
(Optional)

RS232 Cable  
(Optional)



## Part Names and Functions :

### Main Unit

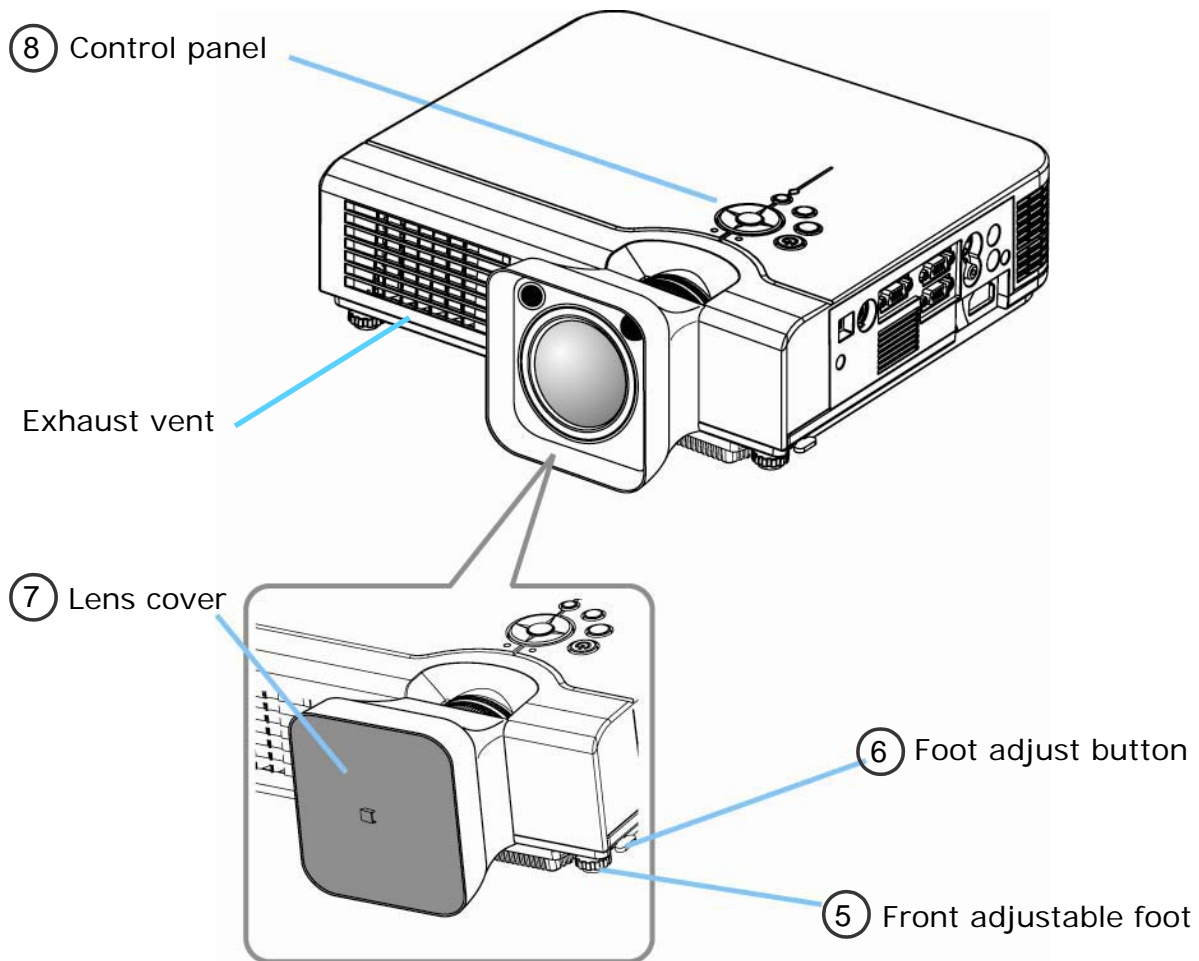


- ① **Zoom ring**  
Use the Zoom Ring to adjust the size of the projected image. Rotate the Zoom Ring until the image is the desired size.
- ② **Focus ring**  
Use the Focus Ring to focus the projector image. Rotate the Focus Ring until the image is clear.
- ③ **IR sensor**  
When using the remote control, point the remote control at this sensor.
- ④ **Filter cover**  
Prevent dust and other foreign particles from being drawn into projector. Remove the Filter cover to clean the air filter.



## Part Names and Functions:

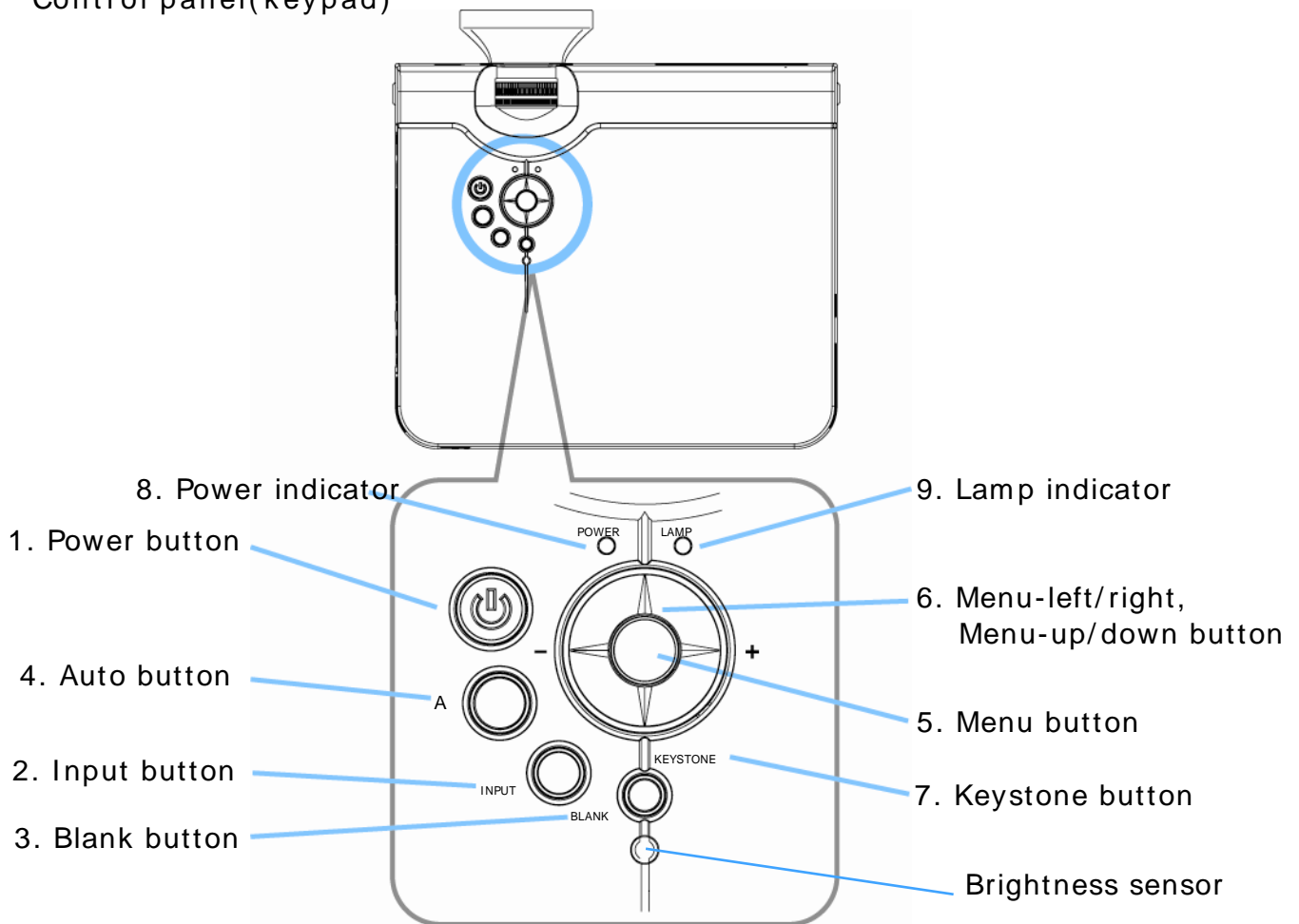
### Main Unit



- ⑤ **Front adjustable foot**  
Extend and retract to adjust the projection angle.
- ⑥ **Foot adjust button**  
Lock/unlock the adjustable foot.
- ⑦ **Lens cover**  
Attach when not using to protect the lens from becoming dirty or damaged.
- ⑧ **Control panel (keypad)**  
Operating system.

## Part Names and Functions:

### Control panel(keypad)



#### 1. Power button

Power on / operation mode, Standby mode, Cooling-down mode  
Brightness function, when sensor detects the surrounding light lower than 150 lux " power button" will turn into blue light.

#### 2. Input button

Selects between RGB input source-Computer in 1→  
Computer in 2(RGB or YPbPr)→Composite Video→S-Video→  
Computer in 1, System will auto detect YPbPr or RGB signal in  
computer in 2 port.

#### 3. Blank button

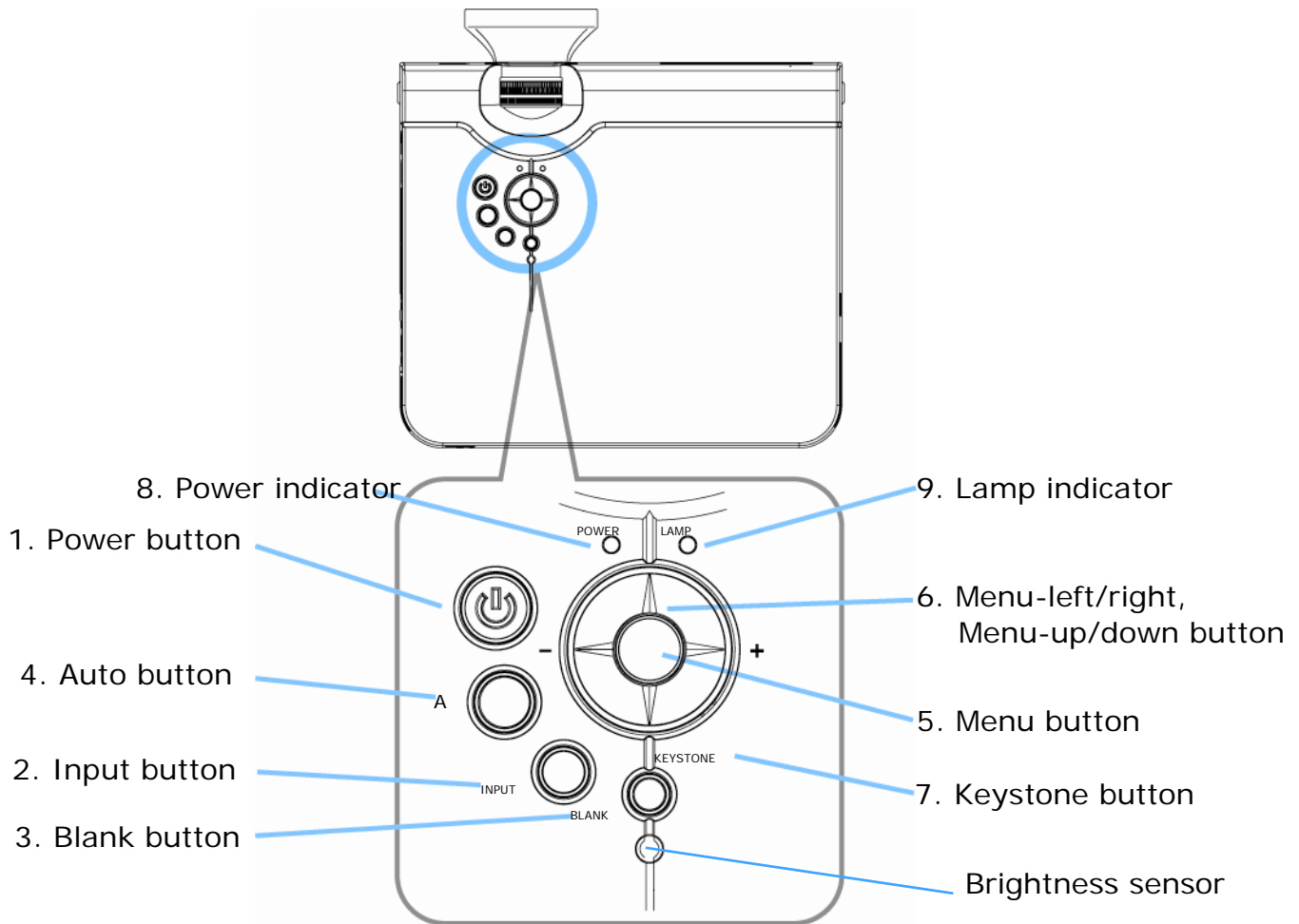
Blanks the projected image. If the projector is left in blank mode  
for more than 15 minutes, the projector will automatically shut  
down.

#### 4. Auto button

Automatically adjusts the setting to match the current input.

## Part Names and Functions:

### Control panel(keypad)



#### 5. Menu button

Display or hides the OSD main menu page.

#### 6. Menu-up /down, Menu-right / left button

Selecting OSD menu item up or down.

Selecting and adjusting the function of OSD menu item

#### 7. Keystone button

Adjusts the vertical keystone with menu-up, menu-down(See Page 36)

#### 8. Power indicator

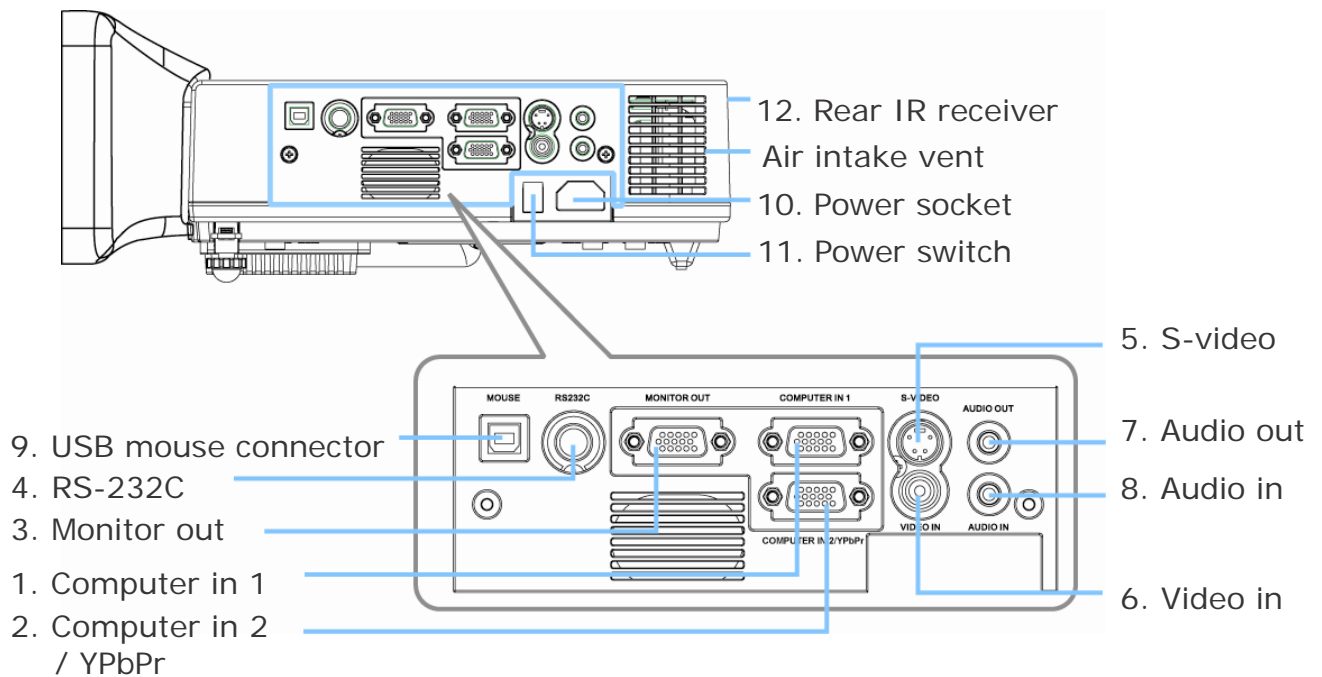
Lights on or flashes to indicate the operating status of the projector  
(See Page 54)

#### 9. Lamp indicator

Indicate a problem in the internal projector temperature, lamp cover or cooling down. (See Page 54)

## Part Names and Functions:

### Rear View / IO Board



#### 1. Computer in 1

Input Analog RGB video signal from a computer

#### 2. Computer in 2 / YPbPr

When input signal from computer in 2, it may encounter incorrect picture color. Please press "Auto" button again. The picture will be corrected.

#### 3. Monitor out connector

Connect an external monitor to this connection view the Computer in 1 input.

#### 4. Control (RS-232C)

Serial data port for controlling the projector with a computer or other RS-232 control device.

#### 5. S-Video connector

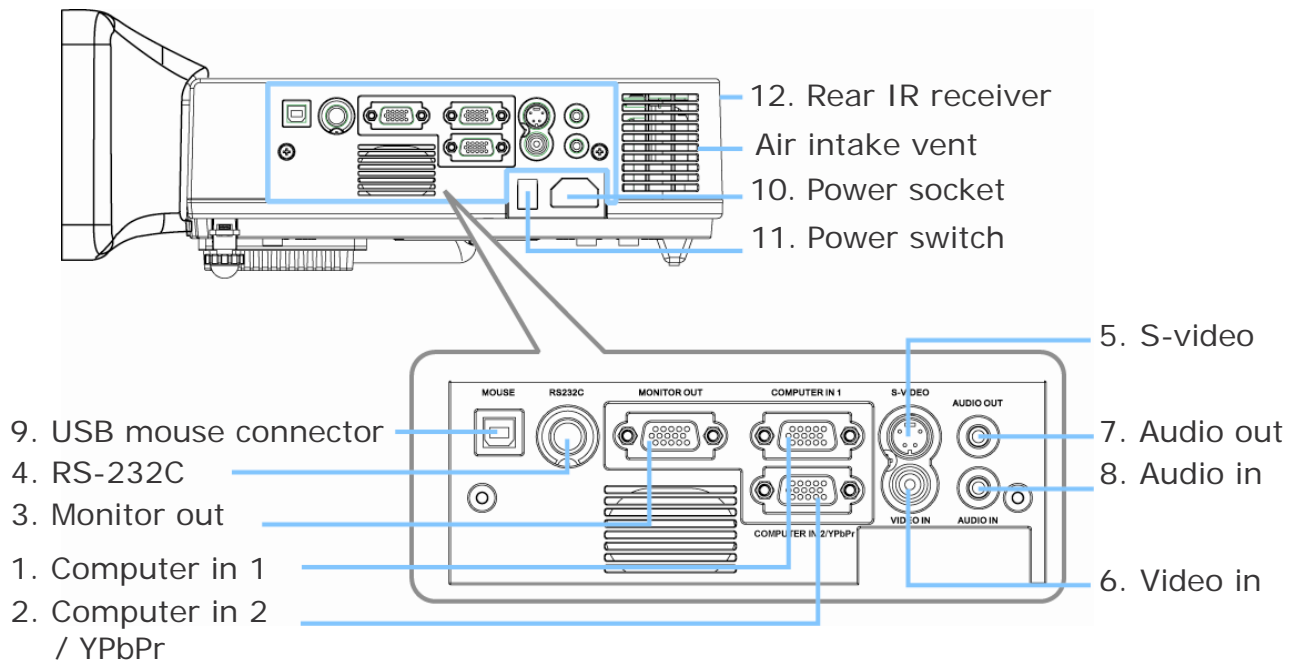
S-Video signal from a video source.

#### 6. Video in

Component video signal from a video source.

## Part Names and Functions:

### Rear View / IO Board



#### 7. Audio out

Connecting to an external speaker system.

#### 8. Audio in

Stereo mini jack for PC input

#### 9. USB mouse connector

Connects a USB cable to a control computer mouse functions.

#### 10. Power socket

Connects the power cord to this connection.

#### 11. Power switch

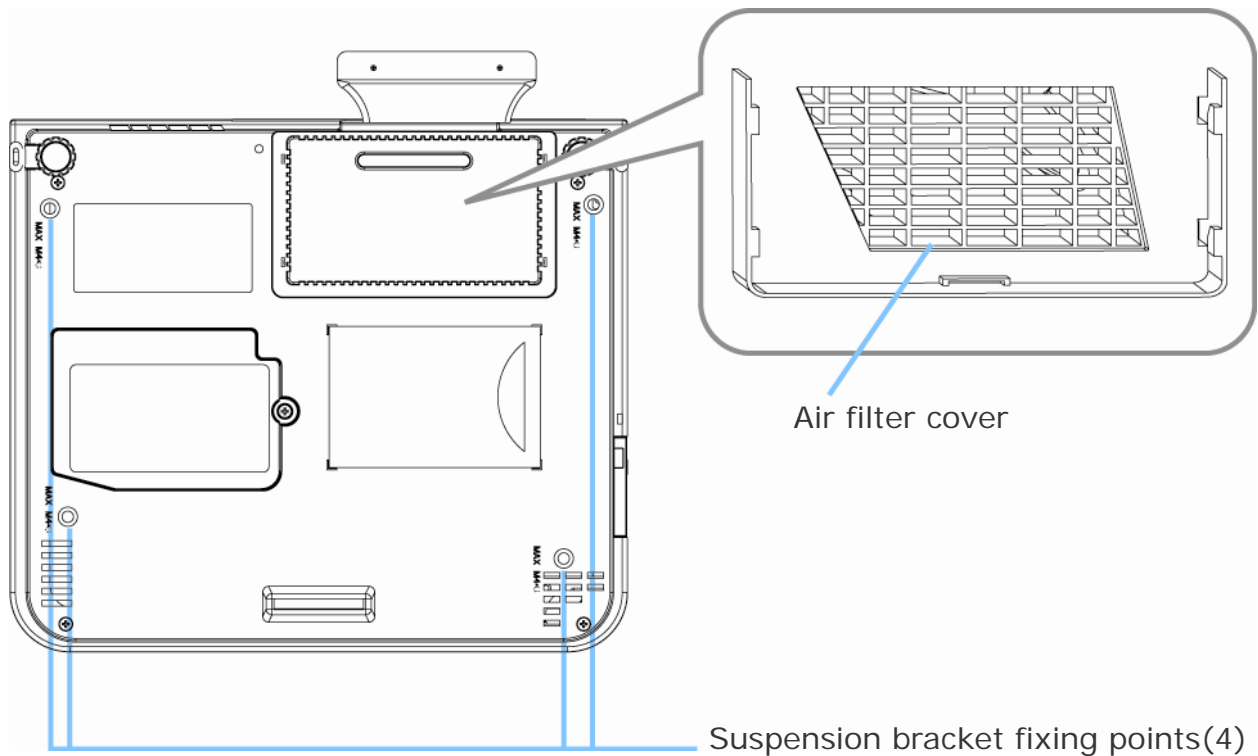
Turns the power on/off.

#### 12. Rear IR receiver

When using the remote control, point the remote control at this sensor.

## Part Names and Functions:

### Bottom View



#### 1. Suspension bracket fixing points (4 points)

Install the optional ceiling mount here when suspending the projector from the ceiling.

#### 2. Air filter cover

Prevents dust and other foreign particles from being drawn into the projector.

## Part Names and Functions:

### Remote Control

#### Power button

Power on / operation mode, Standby mode, Cooling-down mode.

#### Esc button

Press "ESC" button, it will close "Menu" picture.

#### Vol +/- button

Sound louder or lower.

#### Menu button

Display or hide the OSD main menu page.

#### Laser button

Operate the Laser pointer function.

#### Mute button

Mute the sound.

#### Keystone +/- button

Adjusts the vertical keystone function.

#### Still button

Keep the current image on the Screen.

#### Blank button

Hide the current image, become black color on the screen.

#### Auto button

Refresh the current image.

#### Menu up/ down, Menu left/ right button

Selecting and adjusting the function of OSD.

#### INPUT button

Select input source: Computer 1 → Computer 2 → Composite Video → S-Video → Computer 1.

#### \* Quick Key :

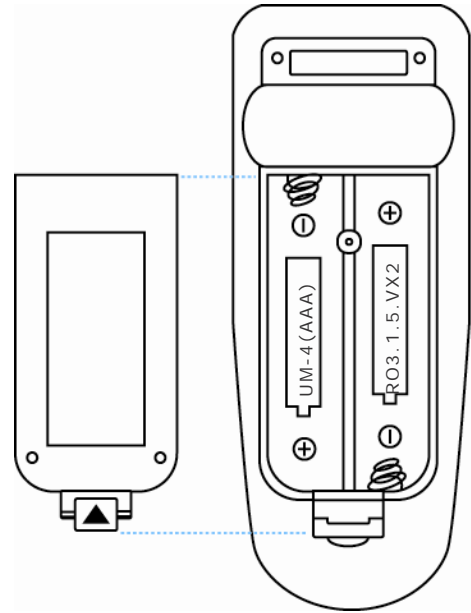
It can be selected the "Keystone / Brightness / Contrast / Volume " by pressing "Menu down" button and adjusted by pressing "left / right" button on the remote control. (Only "Keystone" can be selected and adjusted when the input source is no signal.)



## Part Names and Functions:

### Remote Control Batteries Installation

1. Remove the battery cover.
2. Loading the batteries.  
Make sure the plus and minus poles are correctly oriented.
3. Close the battery cover.



### CAUTION

1. Avoid excessive heat and humidity.
2. Do not drop the remote control.
3. Do not expose the remote control to water or moisture, this could result in malfunction.
4. When the remote control will not be used for an extended period, remove the batteries.
5. Replace the batteries when remote control operation becomes sluggish or unresponsive.
6. Do not place the remote control close to the cooling fan of the projector.
7. Do not disassemble the remote control. If the remote control needs service. Please bring it to the service station.

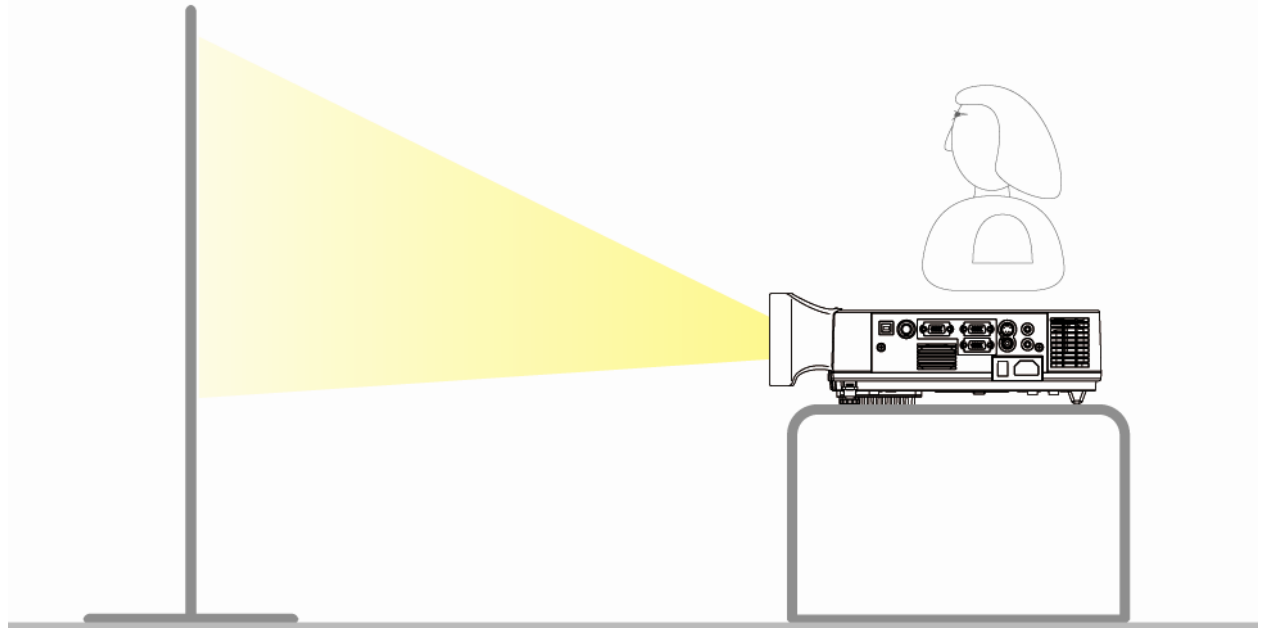


## Installation

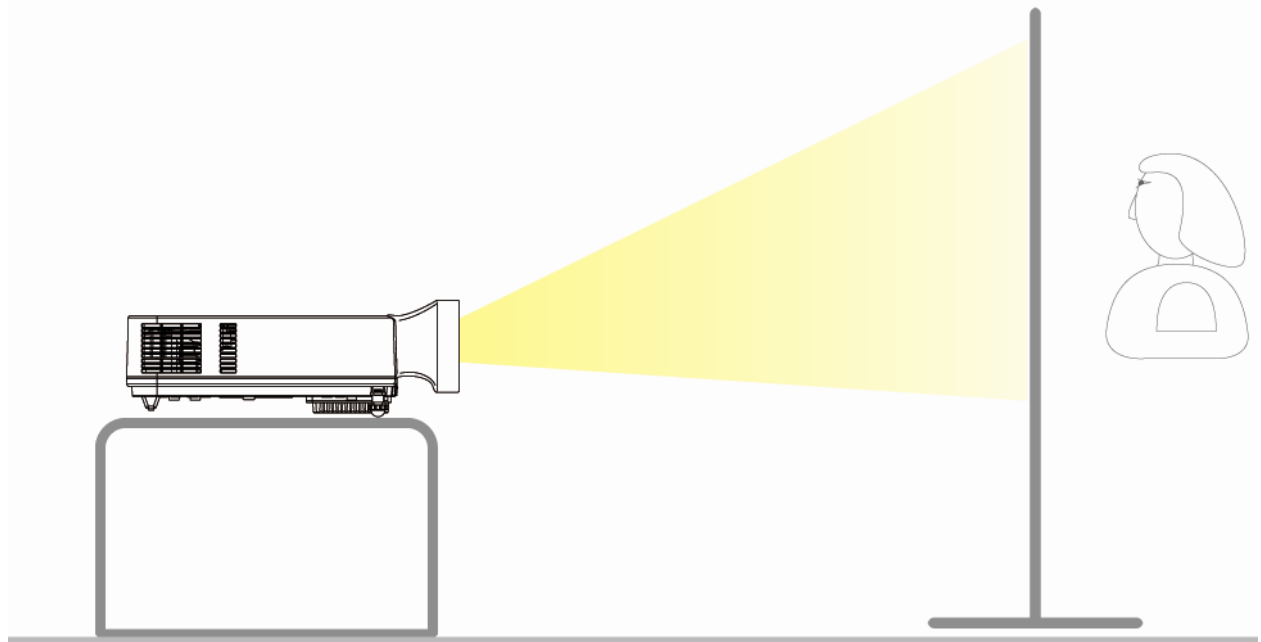
### Setting Up the Projector

The projector supports the following four different projection methods

#### Front projection



#### Rear

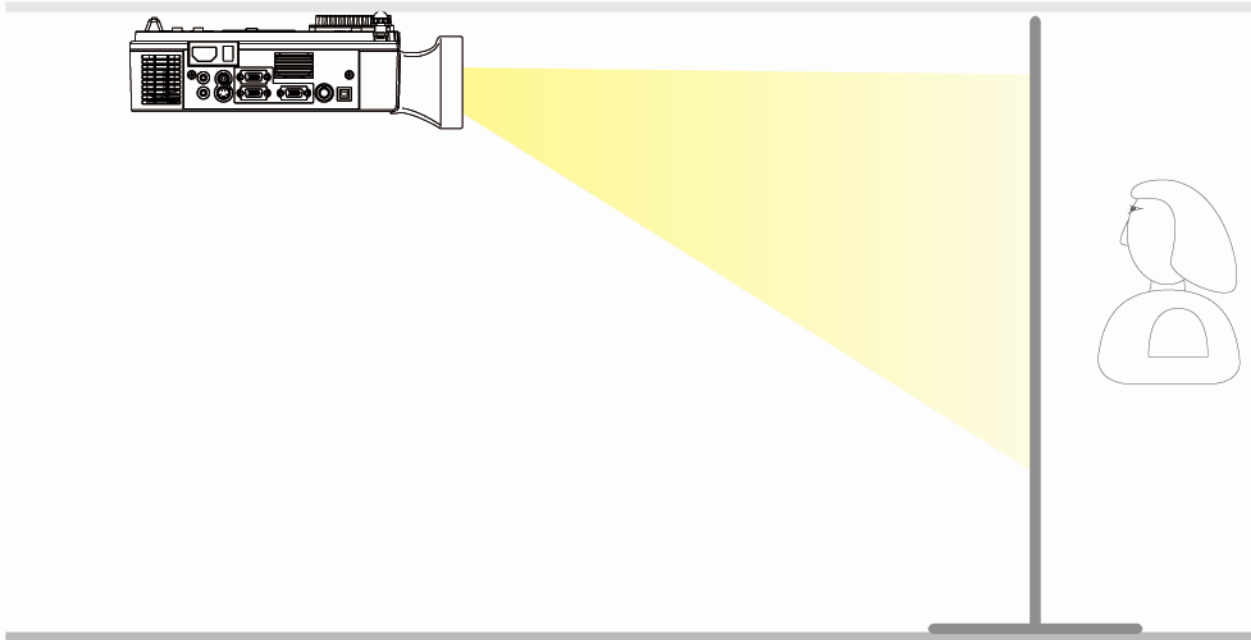


A special method of installation is required in order to suspend the projector from the ceiling. Please ask your dealer for details.

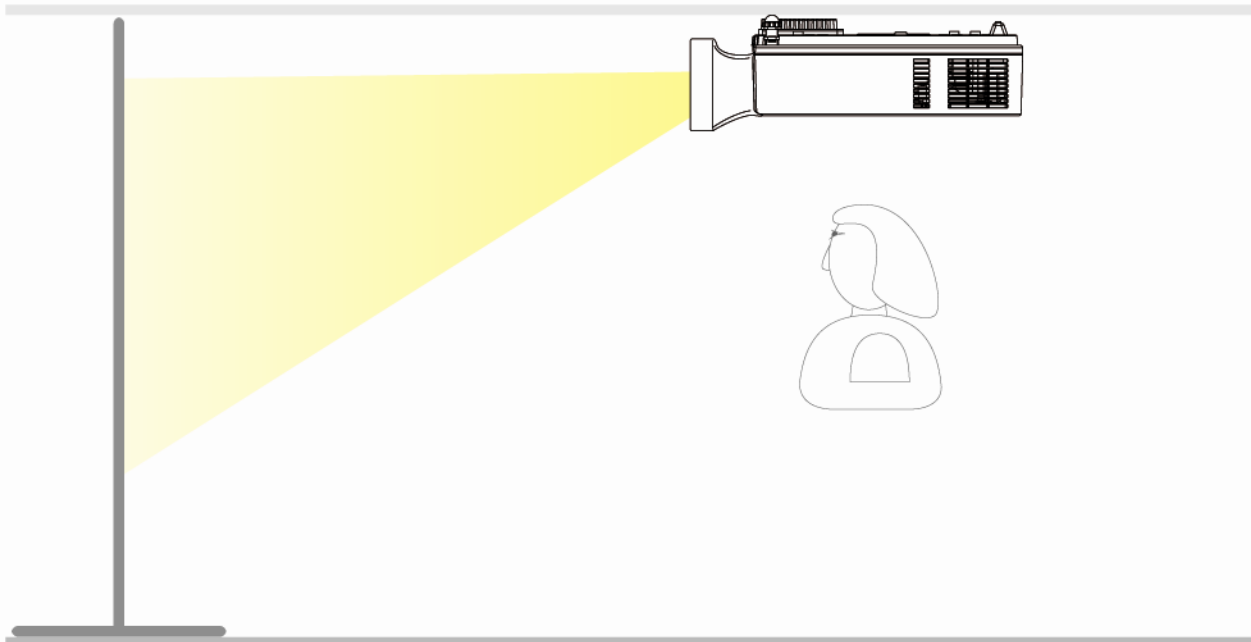
## Installation

### Setting Up the Projector

#### Rear ceiling projection



#### Front ceiling projection



A special method of installation is required in order to suspend the projector from the ceiling. Please ask your dealer for details.

## Installation

### Screen size and Projection Distance

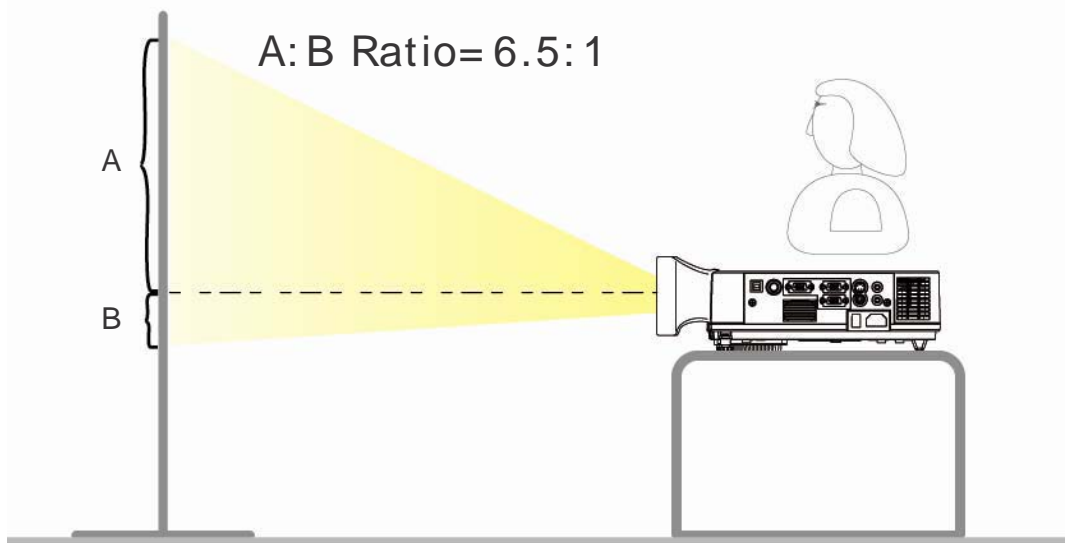
The distance between the projector and screen determines the actual image size. Refer to the table below to determine the image size at a given distance.

The values shown below are approximate and may vary from actual sizes.

Screen Size (inches) (WxH) mm	50"	60"
	1016 x 762	1219 x 914
Zoom (min)	3.8' (1.2 m)	4.6' (1.4 m)
Zoom (max)	3.3' (1.0 m)	3.8' (1.2 m)

Screen Size (inches) (WxH) mm	80"	100"
	1626 x 1219	2032 x 1524
Zoom (min)	6.2' (1.9 m)	7.8' (2.4 m)
Zoom (max)	5.2' (1.6 m)	6.5' (2.0 m)

Screen Size (inches) (WxH) mm	150"
	3048 x 2286
Zoom (min)	11.9' (3.7 m)
Zoom (max)	9.9' (3.0 m)



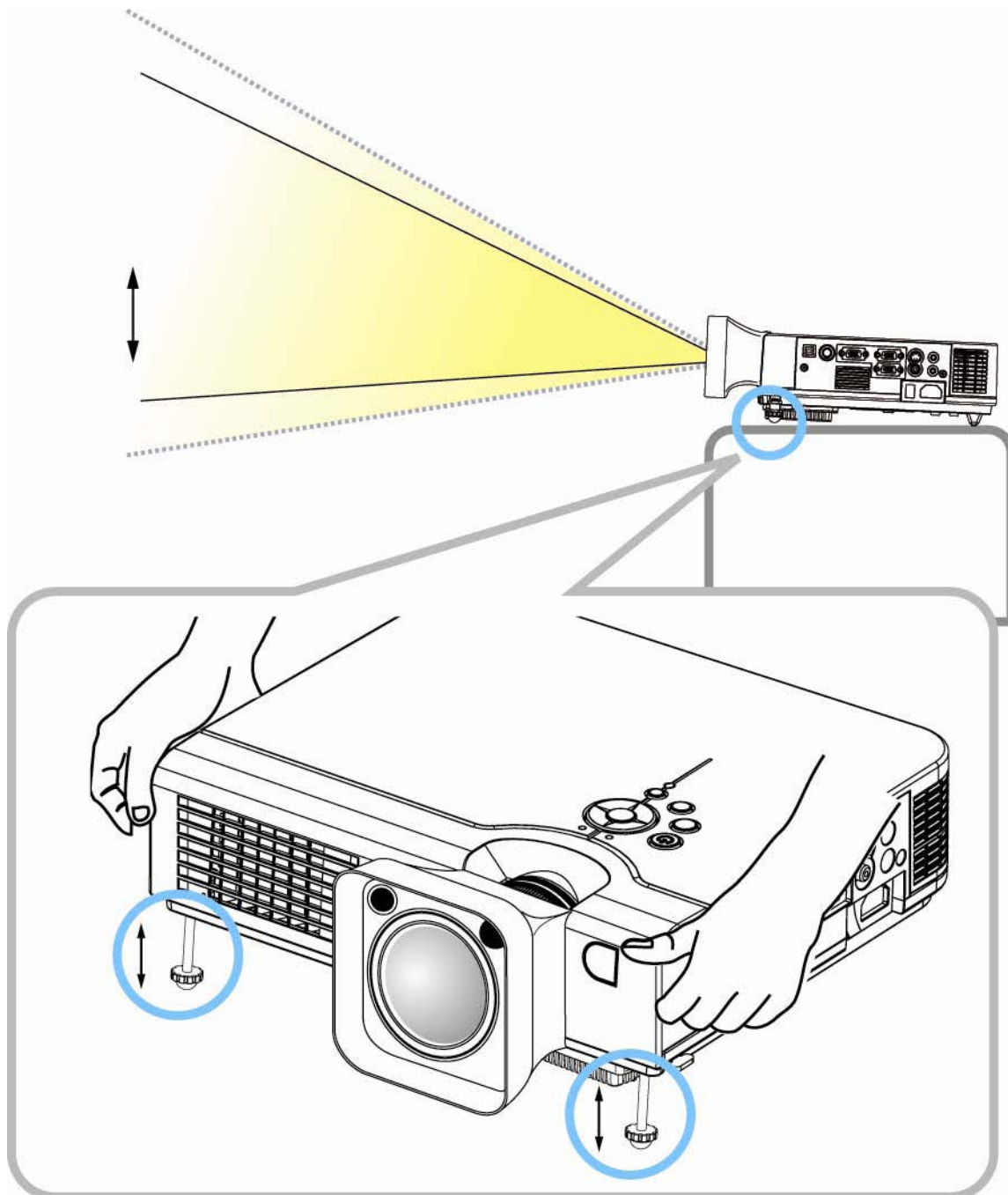
## Installation

### Adjusting the Image Position

Use the adjustable foot at the front of the projector to set the image height. Rotate the adjustable foot at the rear of the projector to fine-tune the image position.

*When the foot is adjusted, it may cause the shape of the projected image to become distorted. Use the keystone correction function to correct this distortion.*

*To retract the front adjustable foot, press the foot adjust button. The front adjustable foot will slowly retract inside the projector.*



### Moving the Projector

1. Use the carry bag when moving the projector. (option)
2. Replace the lens cover and retract the front adjustable foot when moving the projector to prevent damage to the projector.



### carry bag

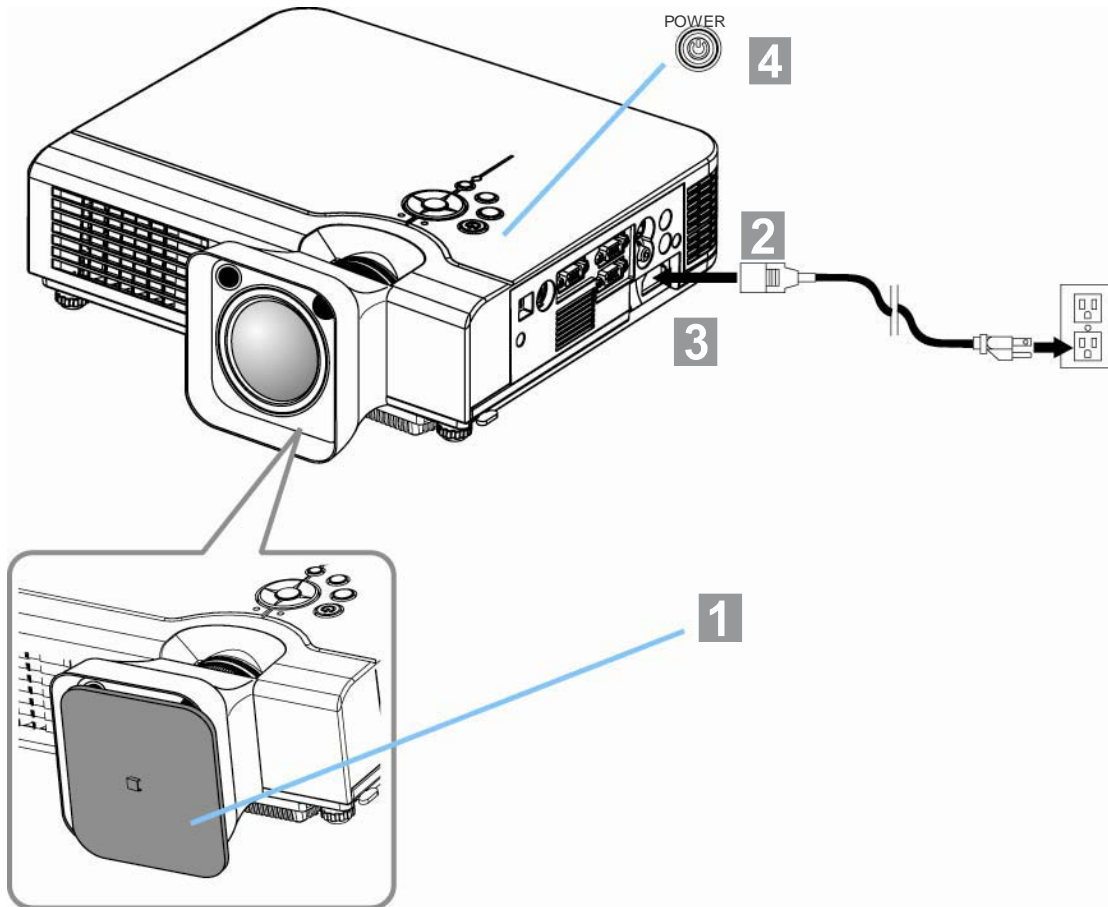
(Optional, please contact your dealer for more information)

### CAUTION

*The optional carry bag is intended to protect the projector from dust and scratches on the surface of the cabinet. It is not designed to protect the projector from external shock.*

*Do not transport the projector in an unsuitable transport case when using a courier or transport service. This may cause damage to the projector.*

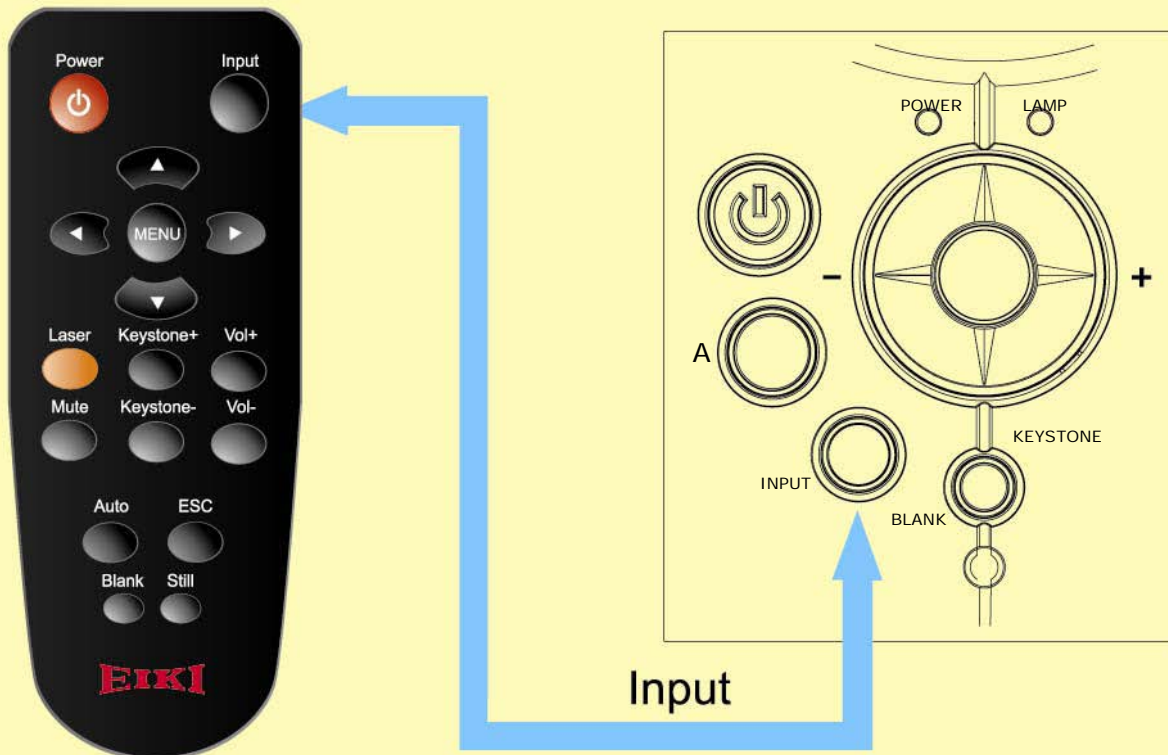
### Turning on the Projector



- 1** Remove the lens cover.
- 2** Connect the projector's power cable with the projector, and insert the power cable into a wall socket.
- 3** Turn on the AC power switch of the projector. The power indicator lights green and slowflashing. Projector works in standby mode.
- 4** Press the power button to turn on the projector. The power LED begins to green and lamp LED begins to red, and the projector will be lamped on.

## Turning on the Projector

**! WARNING** If no image are projected, change the input signal.

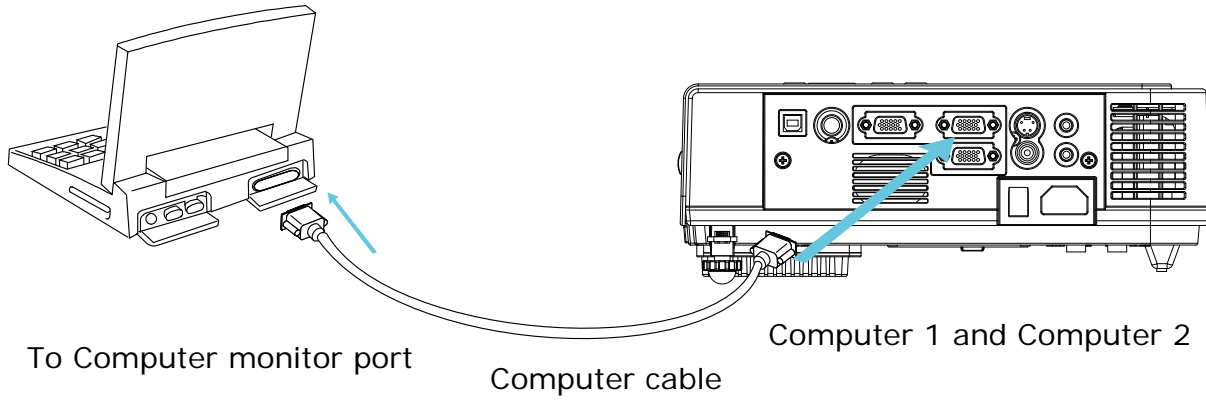


When using a laptop or a PC with an in built monitor, select external video output on the computer.

## Installation

### Connecting PC to the Projector

To connect Computer cable (RGB).





### Desktop PC

Before starting, make sure that the projector and computers are both turned off.

#### 1. Connect the computer cable.

Connect either end of the computer cable to the projector's Computer in 1 or Computer in 2

Disconnect the monitor cable from the computer and connect the other end of the terminal where the monitor cable is disconnected from the computer.

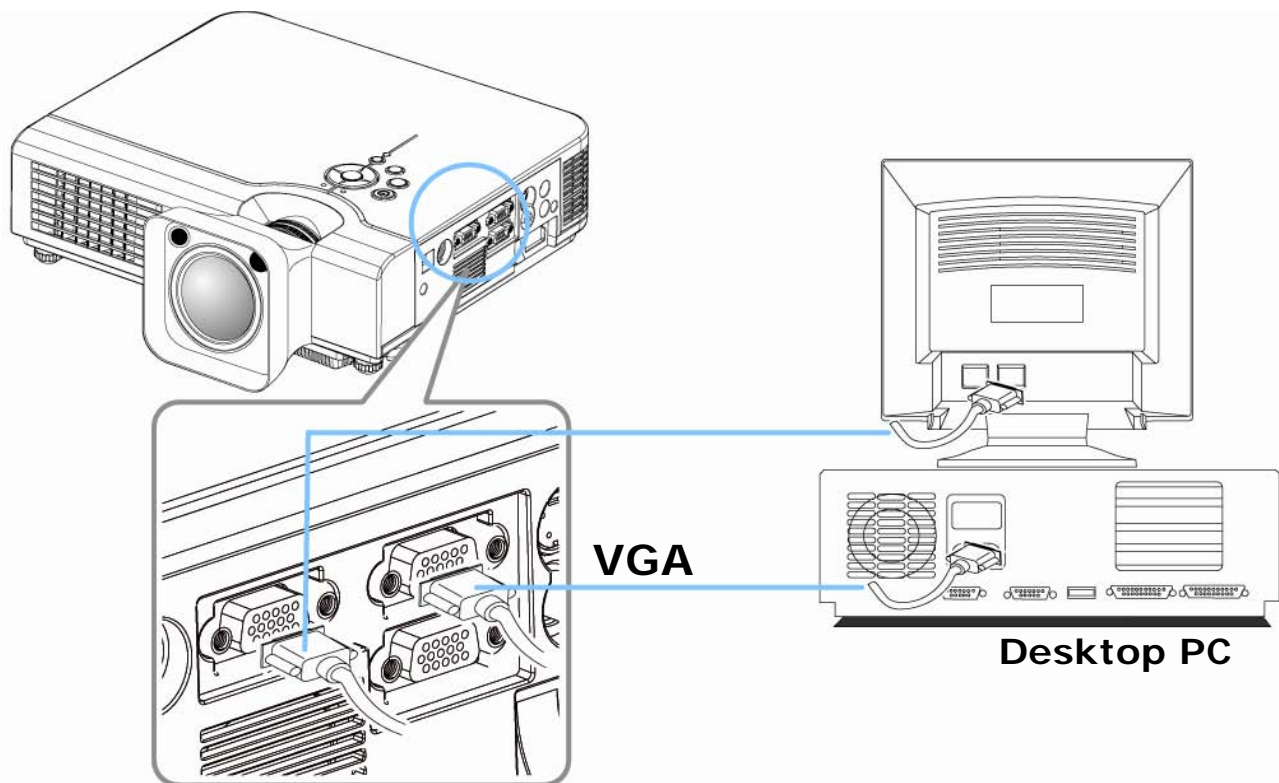
If needed, connect the monitor cable of the computer monitor to the projector's Monitor Out.

Tighten the screw on all connectors.

#### 2. Connect the audio cable if necessary.

Connect one end of the audio cable to the Audio in jack on the projector.

Connect the other end of the audio cable to the audio output port on the computer.



### Laptop PC

Before beginning, make sure that the projector and computers are both turned off.

#### 1. Connect the computer cable.

Connect either end of the computer cable to the projector's Computer in 1.

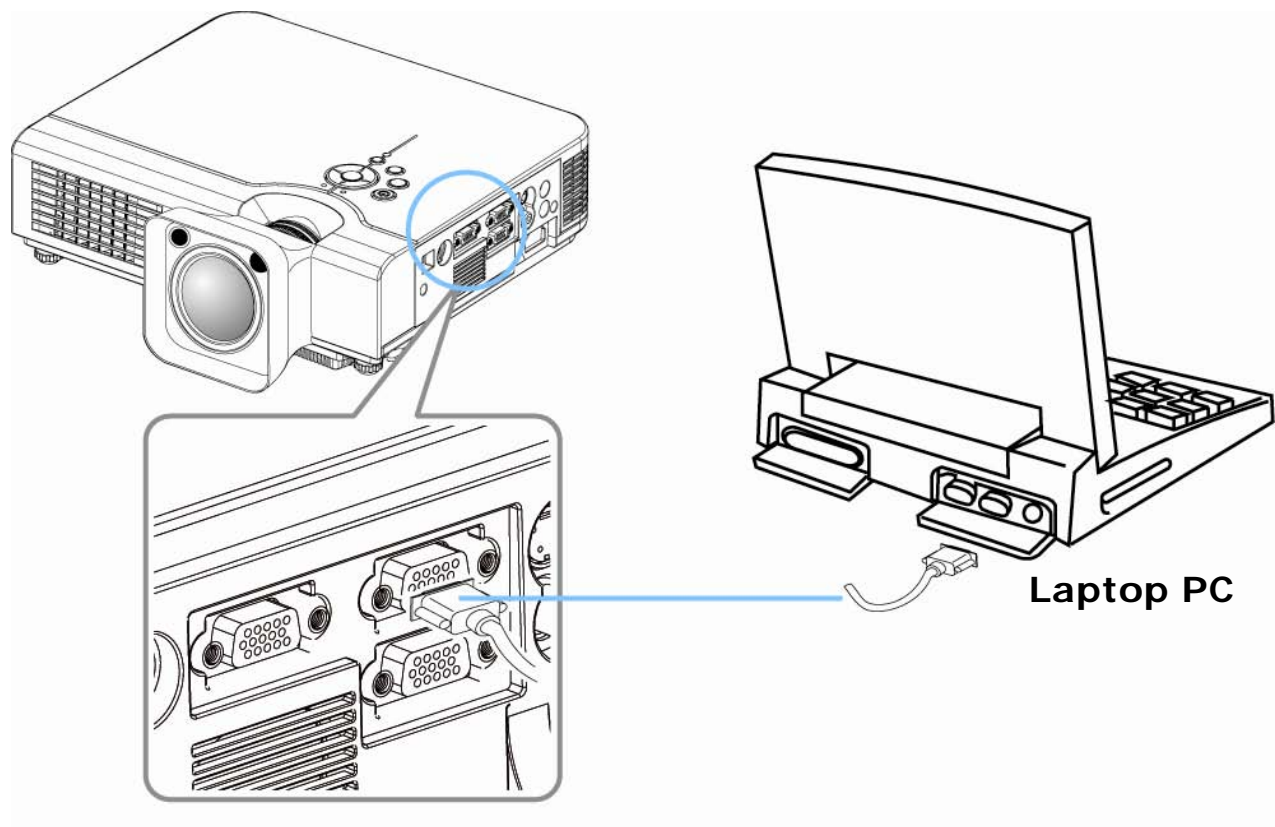
Connect the other end of the project cable to the monitor out connection on the laptop.

Tighten the all connectors.

#### 2. Connect the audio cable if necessary.

Connect one end of the audio cable to the Audio in jack on the projector.

Connect the other end of the audio cable to the audio output port on the laptop PC.

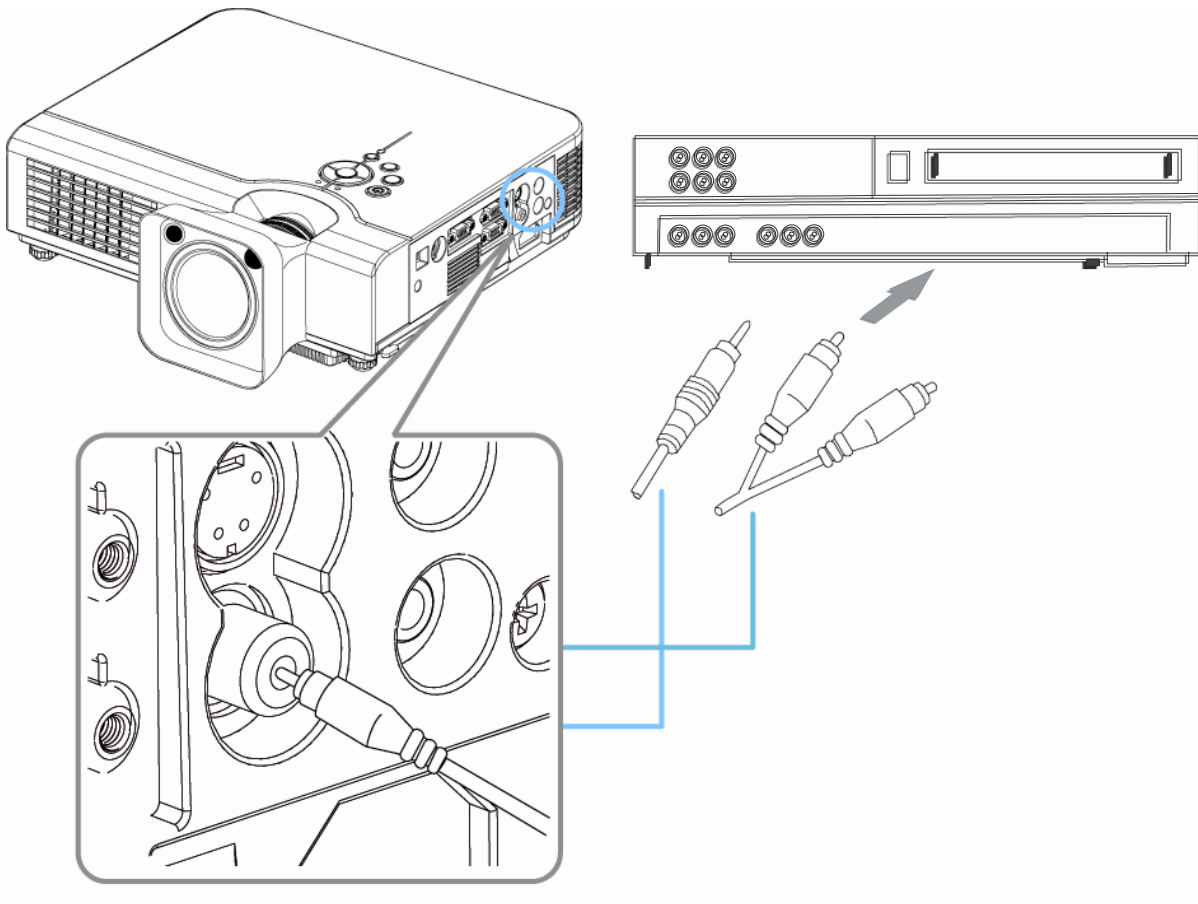


### Connecting Video to the Projector

#### 1. Connect to a video source

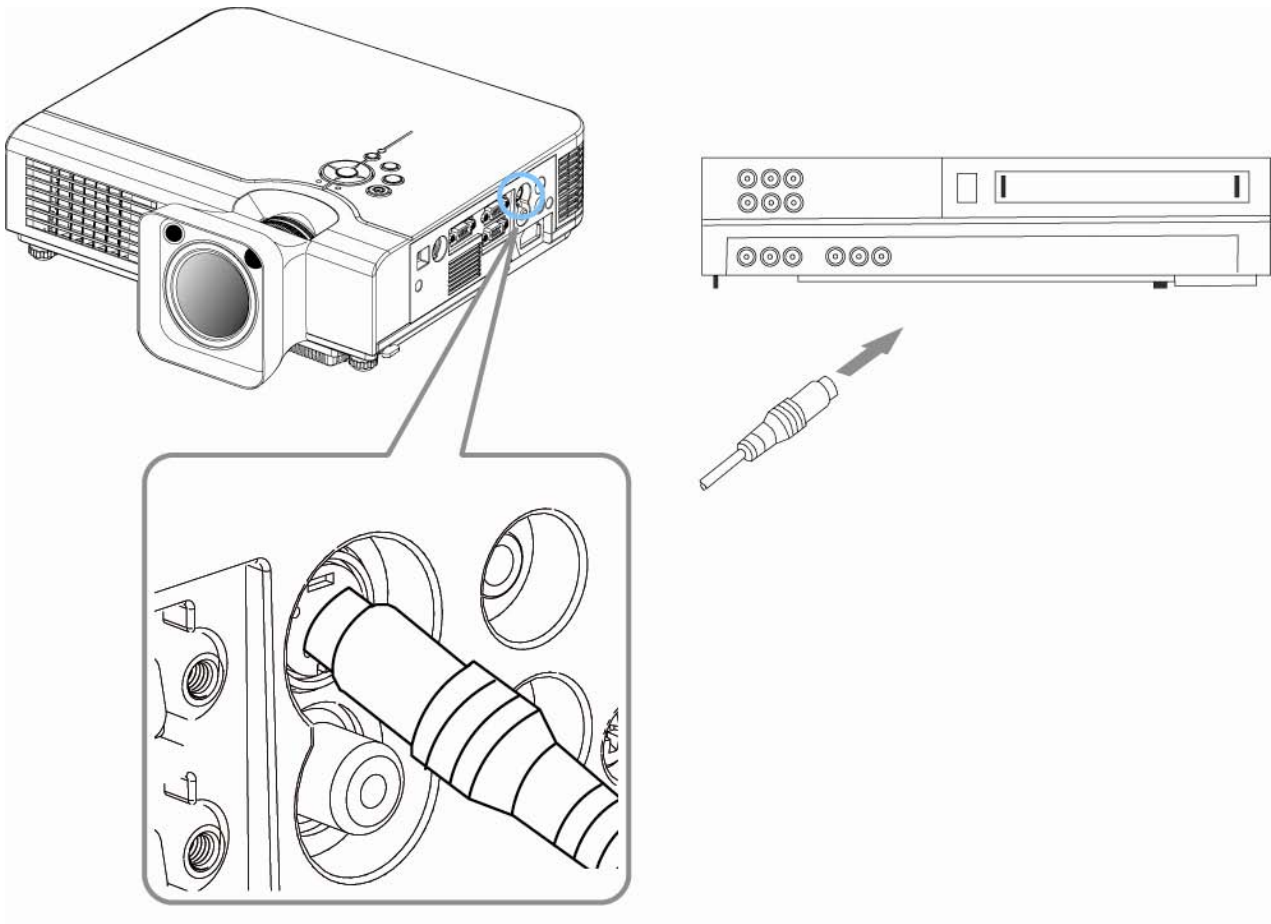
The Projector can receive composite AV ,YPbPr and S-Video. Connect RCA plug at projector and video source ( like DVD player) for video signal. Please contact with your dealer for optional cable.

2. Connect RCA plug ( white and red) to audio source ( like DVD player) and connect the phone jack to projector for audio signal.



## How to Connect

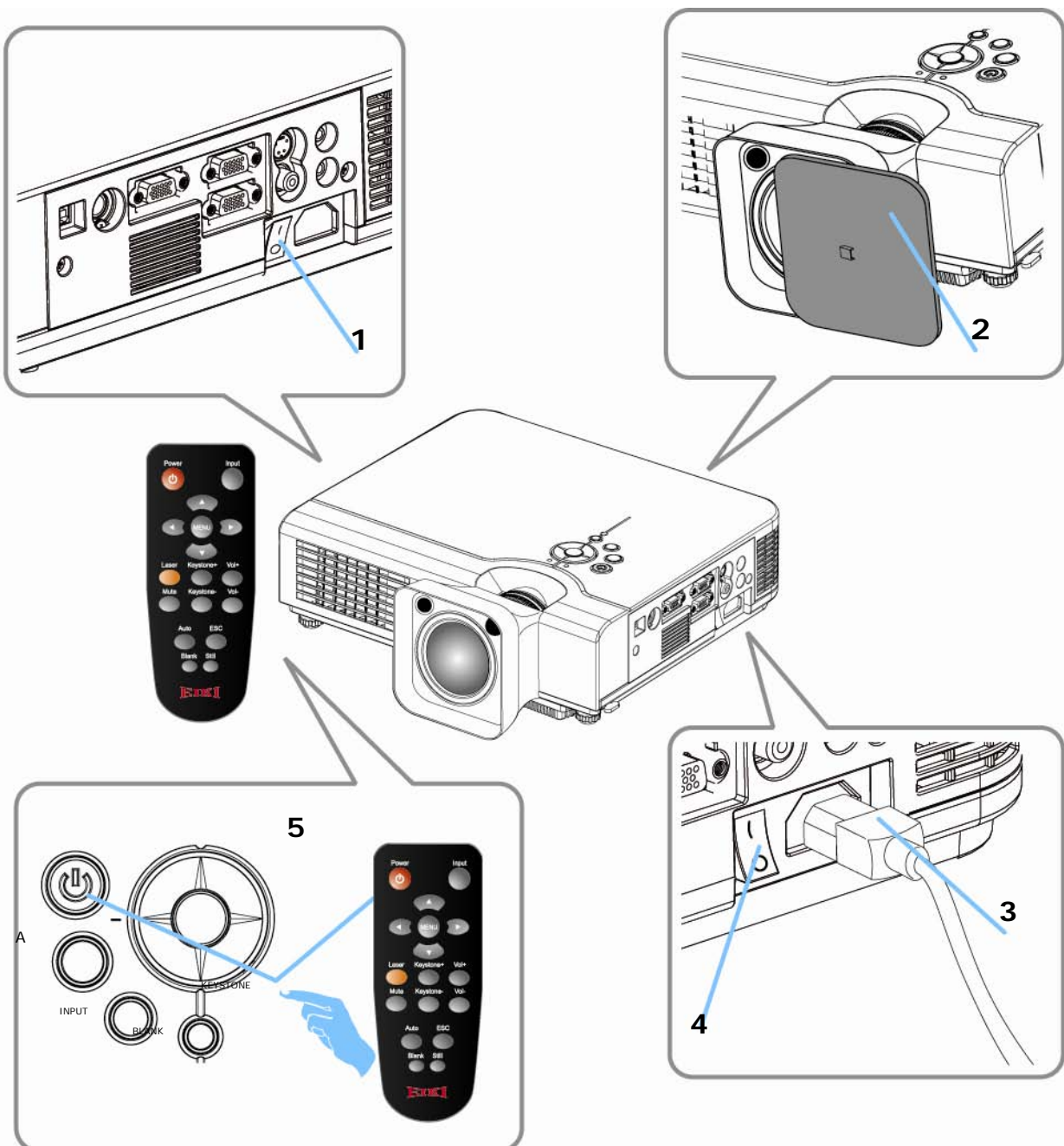
3. Connect YPbPr plug at projector computer in 2 port and video source ( like DVD player) for video signal.
4. For S-Video, using S-Video cable connect to projector and video source for video signal.



## Basic Operation

### Turning on the Projector - Procedure

1. Check the power is turned off for the projector and all components connected to the projector.
2. Remove the lens cover.
3. Connect the power cord to the projector.
4. Turn on the power switch.
5. Press the POWER button on the control panel or on the remote control.

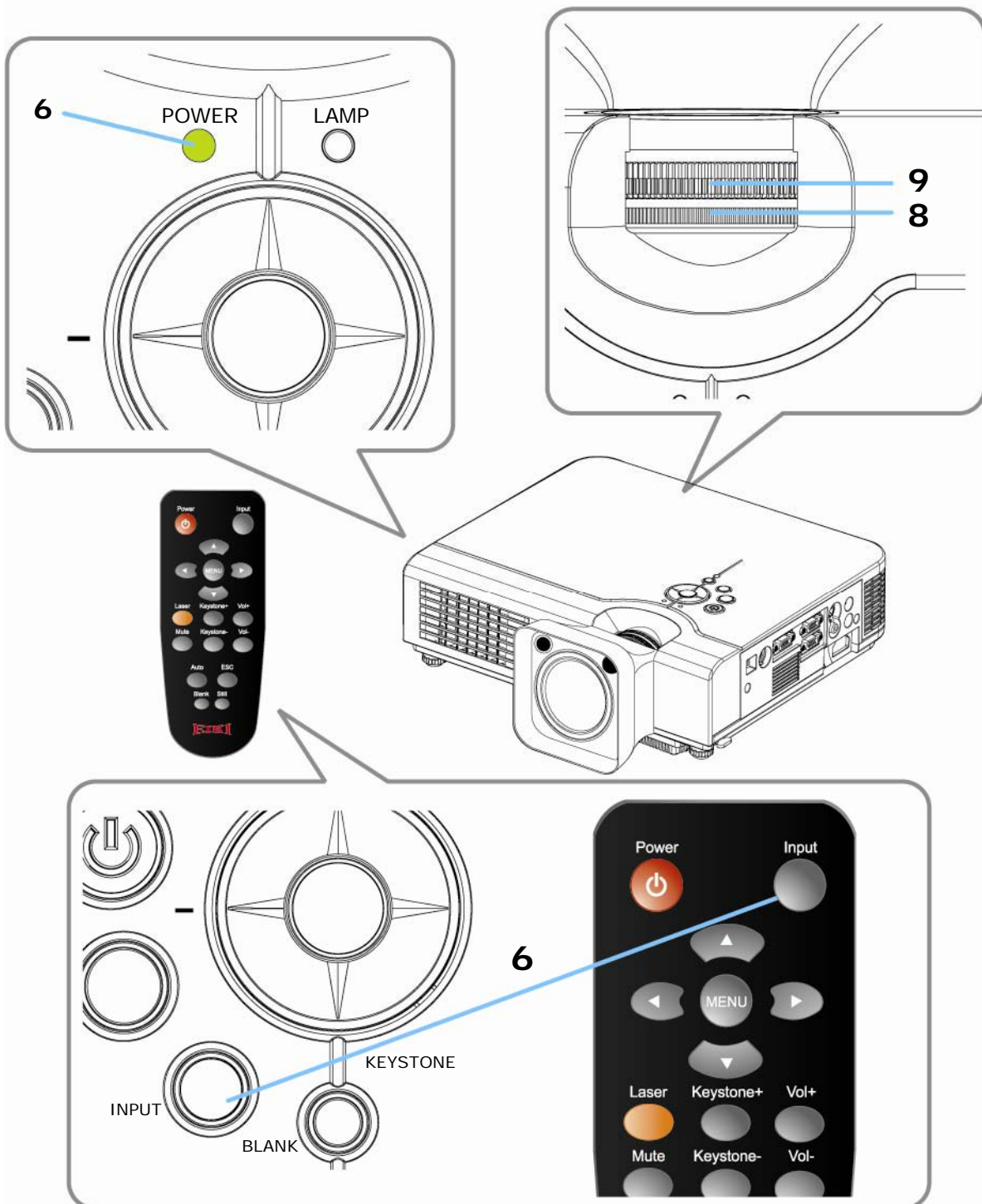




## Basic Operation

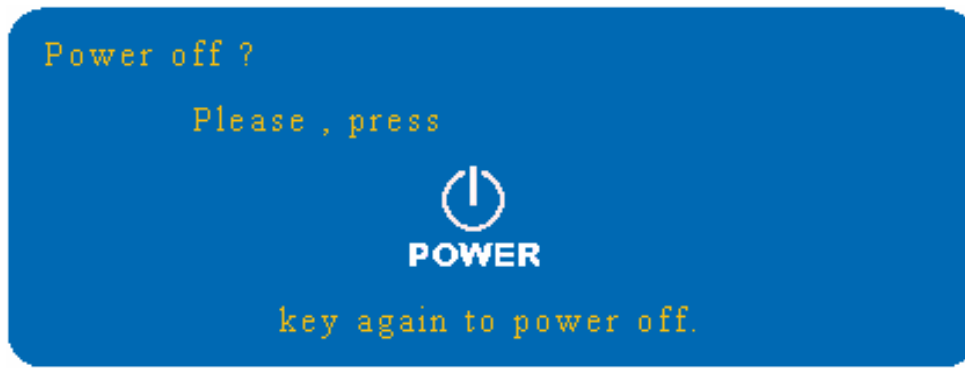
### Turning on the Projector - Procedure

6. The power indicator will flash green.
7. Press the Input button on the control panel or on the remote control to select the appropriate source.
8. Rotate the zoom ring to adjust the screen size.
9. Rotate the focus ring to adjust the focus.



### Turning off the Projector - Procedure

1. Press the power button on the projector or remote control. The power off confirmation message appears .



2. Press the power button again and the projector will enter cool-down mode. The lamp shuts off, the lamp indicator flashes red, and the fans continue to run for approximately two minutes. During the cool down sequence the projector will not respond to any control panel or remote control buttons.

### CAUTION

Do not set the power switch to off or unplug the projector during the cool-down sequence. Not allowing the lamp to cool properly will greatly reduce the life of the lamp.

3. After the cool-down sequence is completed the fans will shut off and the lamp indicator will stop flashing. The projector is now in standby mode and can be turned back on with the remote control or control panel. If the projector will not be used for an extended period, set the power switch to off and disconnect the power cord.

### Adjusting the Screen Image

#### 1. Adjusting the image size

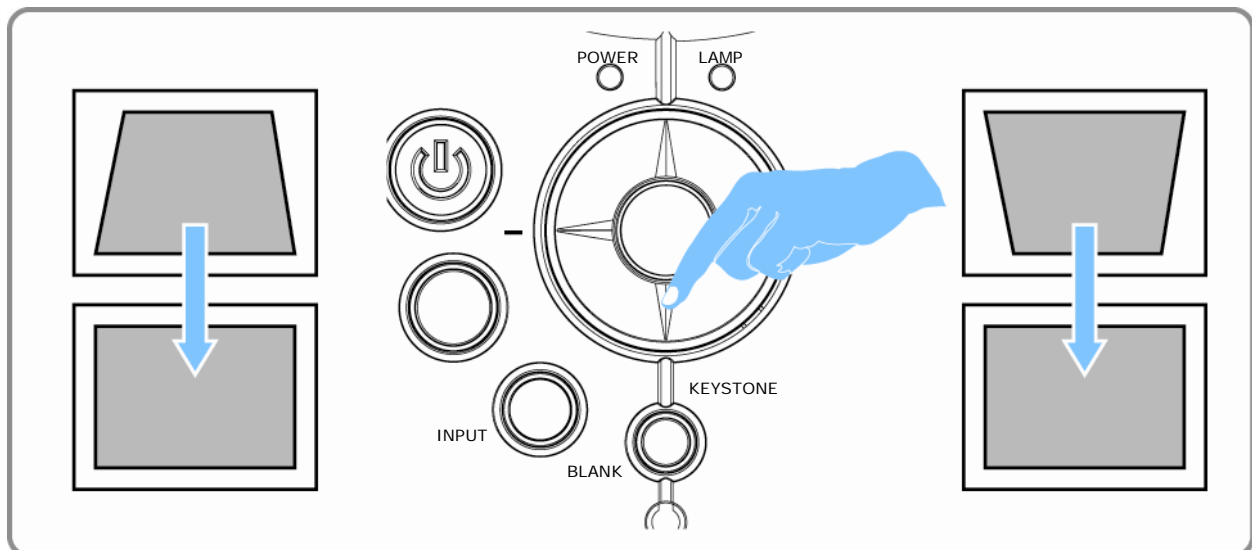
Rotate the Zoom Ring to adjust the image.

#### 2. Adjusting the image height

Extend or retract the front adjustable foot to adjust the height of the image.

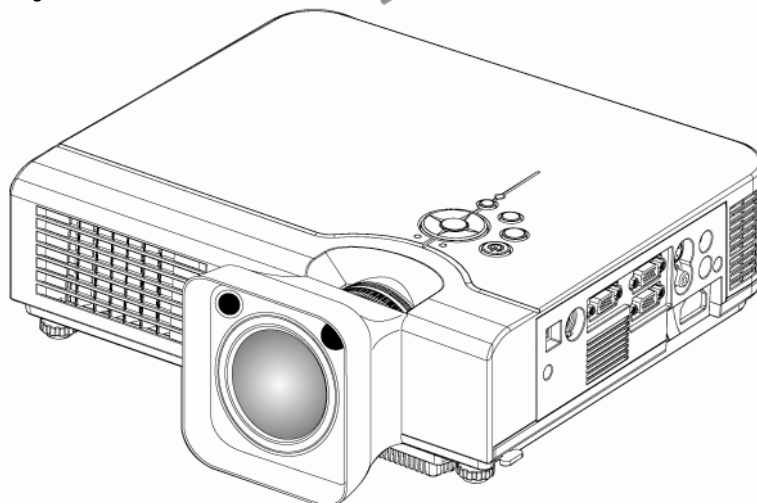
#### 3. Correcting Keystone Distortion

- ◆ Press the Keystone button on the control panel.
- ◆ Keystone correction message will be appeared.
- ◆ Press "Left/Right" button to correct Keystone distortion.



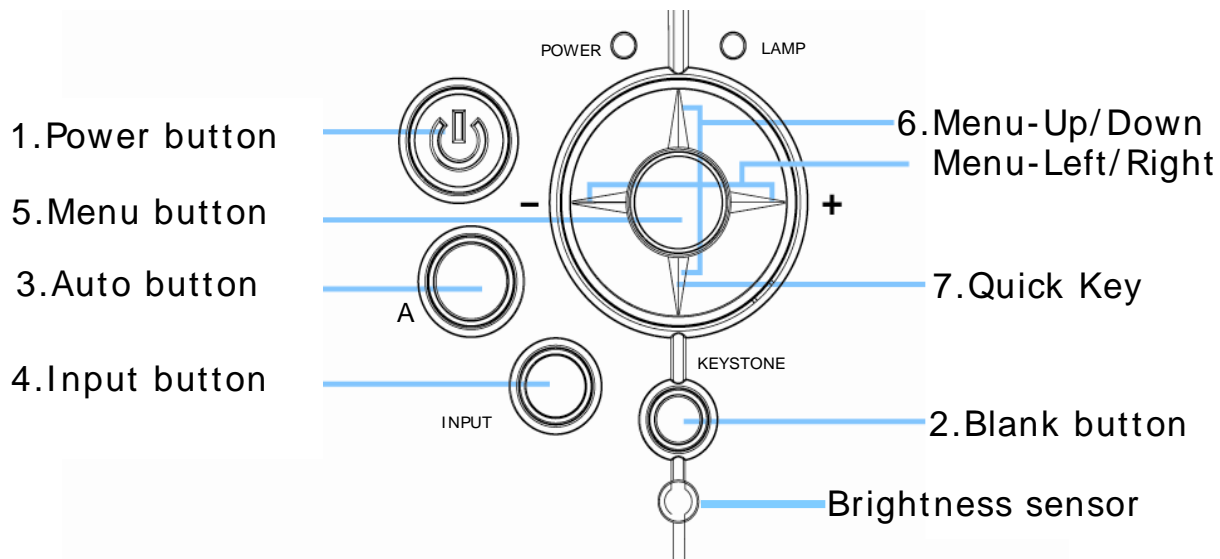
Press "Left button" to correct keystone distortion.




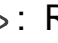
Press "Right button" to correct keystone distortion.





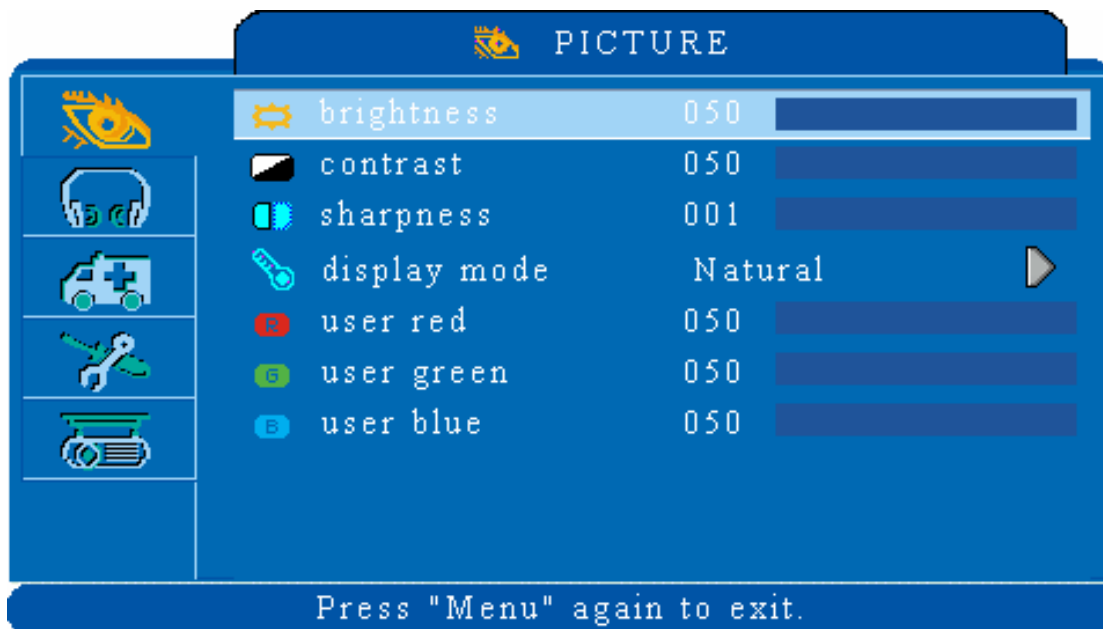
### Control panel (keypad) Operating



1. Power button : Turn on and turn off the projector.
2. Blank button : Blanks the projected image. If the projector is left in Blank mode for more than 15 minutes, the projector will automatically shut off the lamp and enter cool-down mode.
3. Auto button : Automatically adjusts the settings to match the current input.
4. Input button : Selects VIDEO or PC input source.
5. Menu button : Enter or exit the main menu (Show and hide the OSD)
6.  /  : Up / Down arrow buttons, used to navigate through the OSD Menus.  
 /  : Right / Left arrow buttons, used to select and adjust OSD Menu functions.
7. Quick Key : It can be selected the “Keystone/Brightness/Contrast/Volume ”by pressing " Menu down" button and adjusted by pressing "left/right" button on the control panel or the remote control. (Only "Keystone" can be selected and adjusted when the input source is no signal.)

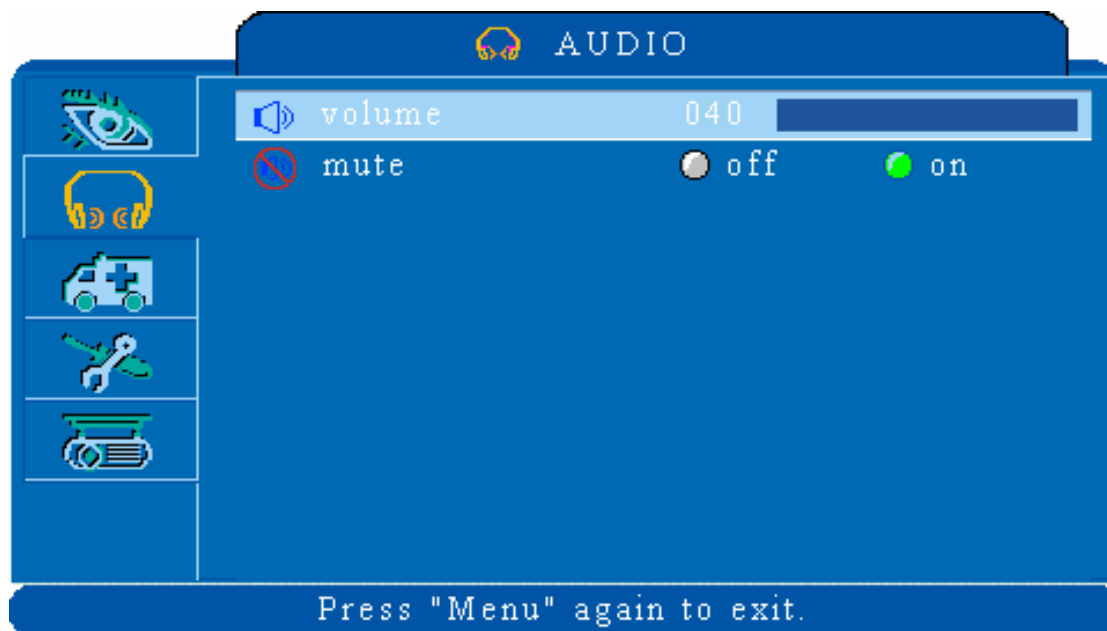
There is a “Quick Key“ on the remote control and projector keypad as well.

Computer Mode-PICTURE Menu



1. PICTURE		
Brightness	000/100	Adjusts the overall image brightness
Contrast	000/100	Adjusts the difference between light and dark areas of the image
Sharpness	000/002	Adjusts the image sharpness
Display mode		Select
	Video	Keep the soft tender color
	Powerful	Enhance brightness
	Presentation	For computer presentation use
	Natural	Nature color
	Green board	When using on green board
	User	Adjustments of each RGB color
	User Red	000/100
	User Green	000/100
	User Blue	000/100

Computer Mode-AUDIO Menu



2. AUDIO		
Volume	000/040	Adjusts the volume
Mute	Off/on	Mutes the volume on/off

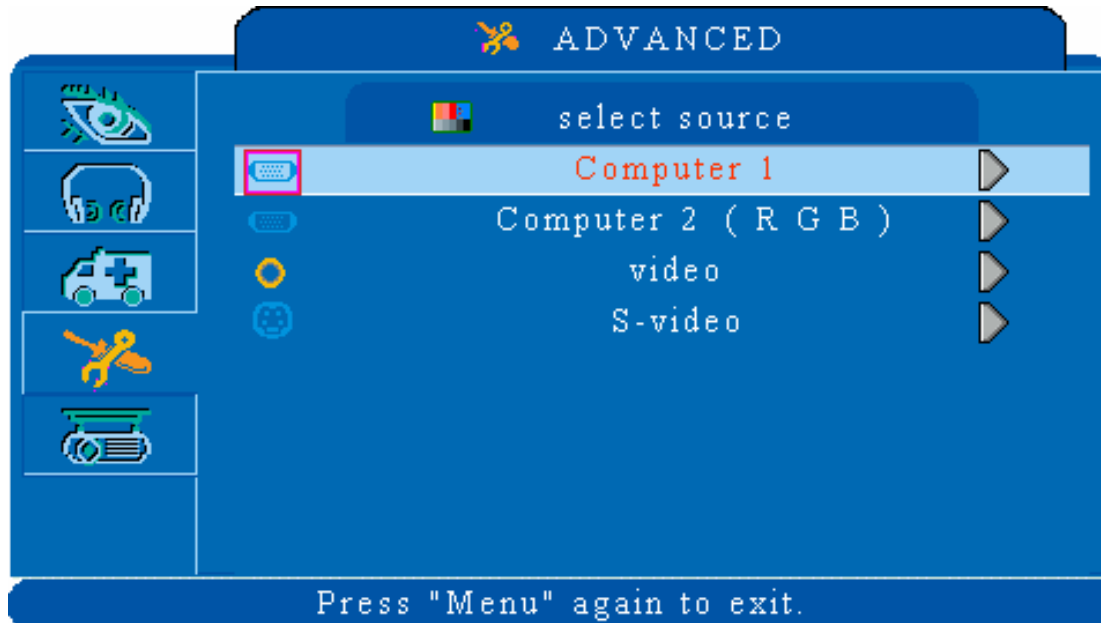
Computer Mode-SETTING Menu



3.SETTING		
H position	000/100	Move the image position horizontally.
V position	000/100	Move the image position vertically.
Phase	000/100	Set the synchronization polarity.
Frequency	000/100	Set the horizontal scanning frequency.
Auto keystone	off/on	Automatically Corrects keystone distortion in image i.e. press once to do once.
Keystone V	-80/+80	Corrects vertical keystone distortion in image.
Auto sync	execute	Sets all of the above settings automatically.
Auto search	off/on	Search signal source automatically.

## Functions of Menu (OSD)

### Computer Mode-ADVANCED Menu



## Functions of Menu (OSD)

### Computer Mode-ADVANCED Menu

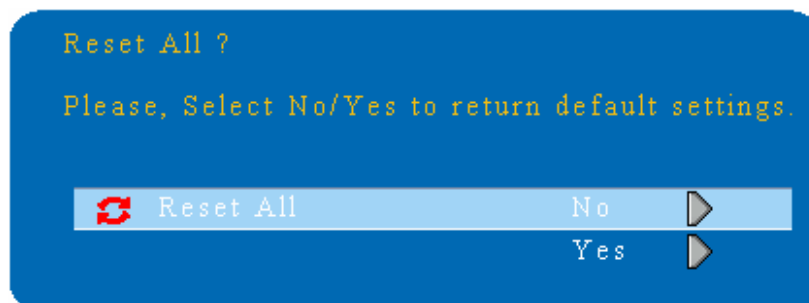
4.ADVANCED		
Zoom/pan	execute	Execute digital zoom and pan function.
Still	on/off	Freeze the current image on the screen.
Blank	on/off	Hide the image, displays a blank, black screen *(see below).
Reset all	execute	Reset all OSD Menu function to their factory default values*(see below).
Language	English	Select the language that the OSD Menu and on screen message are display in English / German / French / Spanish / Italian / Portuguese / Dutch / Swedish / Chinese(Simplified-Traditinal) / Korean / Russian / Japanese
Resize		4:3,16:9
Select source	execute	Select the input source from: Computer 1 / Computer 2 (RGB or YPbPr) / Composite Video / S-Video
Logo	on/off	on—factory-set logo off—blue image only.
Scale mode	Normal/True	Provide the image in its original size. When the original image size larger than the screen size (1024x768), this projector enters panning mode automatically.

#### Blank on

If the projector is left in Blank mode for more than 15 minutes, the projector will automatically shut off the lamp and enter cool-down mode.

#### Reset all

1. After you select [reset all] on the OSD menu, the following confirmation message will appear on the screen.



2. Press reset button on the remote control or the button on the control panel to reset the OSD Menu values. Press the ESC button or ignore the message to exit the Reset All function without changing any settings.

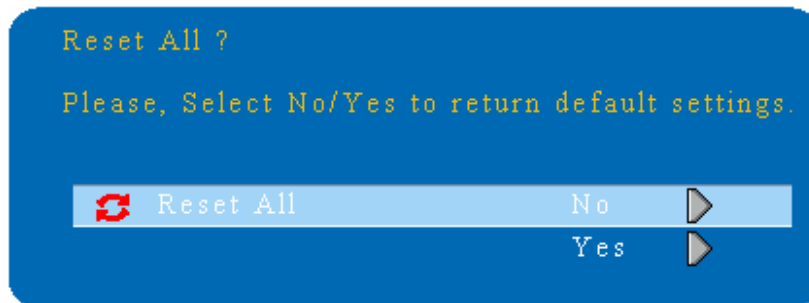
Computer Mode-PRESENTATION Menu



5.PRESENTATION		
Auto ceiling	off/on	Automatically inverts the image when the projector is turned upside down i.e. when the projector is mounted on the ceiling
Front	execute	Normal projection mode
Ceiling	execute	Inverts the image vertically, used when the projector is mounted upside down
Rear	execute	Inverts the image horizontally, used when projecting onto a rear projection screen
Ceiling and Rear	execute	Inverts the image horizontally and vertically, used when the projector is mounted upside down and projecting onto a rear projection screen
Auto Brightness	off/on	Auto detects brightness; it turns to economic mode automatically when the brightness is low.
Lamp mode	normal economic	Economic mode reduces the lamp brightness economic to extend lamp life and quiet the projector
Lamp		Show Lamp timer
Reset lamp timer	execute	After changing a new lamp,execute this function for reset the Lamp timer. (see below)

### Reset Lamp Timer

1. After you select [ Reset Lamp Timer ] on the OSD menu, the following confirmation message will appear on the screen.

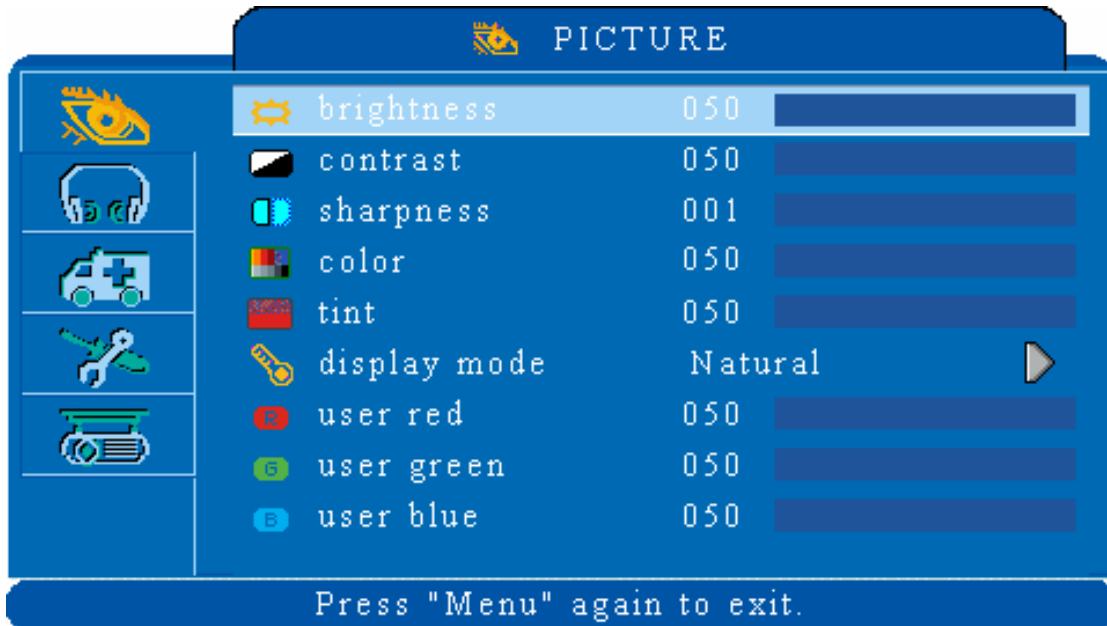


2. You choose [ Yes ] ,the Lamp Mode show [ 0 ] .

\* The replacement warning message is set to appear after about 2000 hours of lamp use in order to maintain the brightness and quality of the projected images. When the lamp replacement message appears, replace the lamp (part number 23040011) with a new one as soon as possible, even if it is still working.



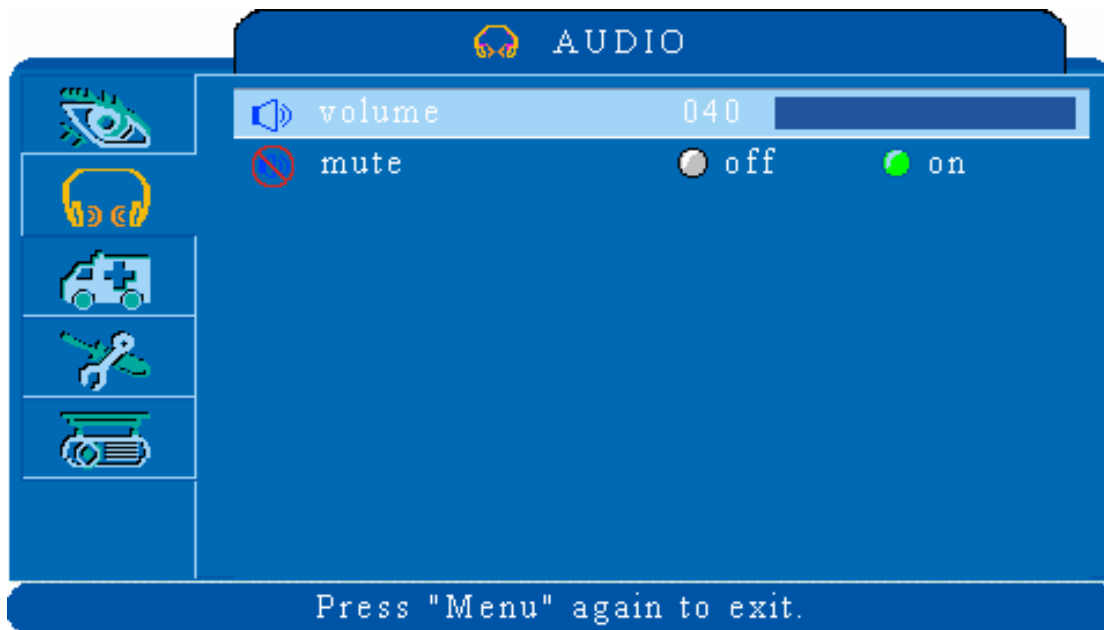
Video Mode-PICTURE Menu



1. PICTURE		
Brightness	000/100	Adjusts the overall image brightness
Contrast	000/100	Adjusts the difference between light and dark areas of the image
Sharpness	000/002	Adjusts the image sharpness
Display mode		Select
	Video	Keep the soft tender color
	Powerful	Enhance brightness
	Presentation	For computer presentation use
	Natural	Nature color
	Green board	When using on green board
	User	Adjustments of each RGB color
	User Red	000/100
	User Green	000/100
	User Blue	000/100

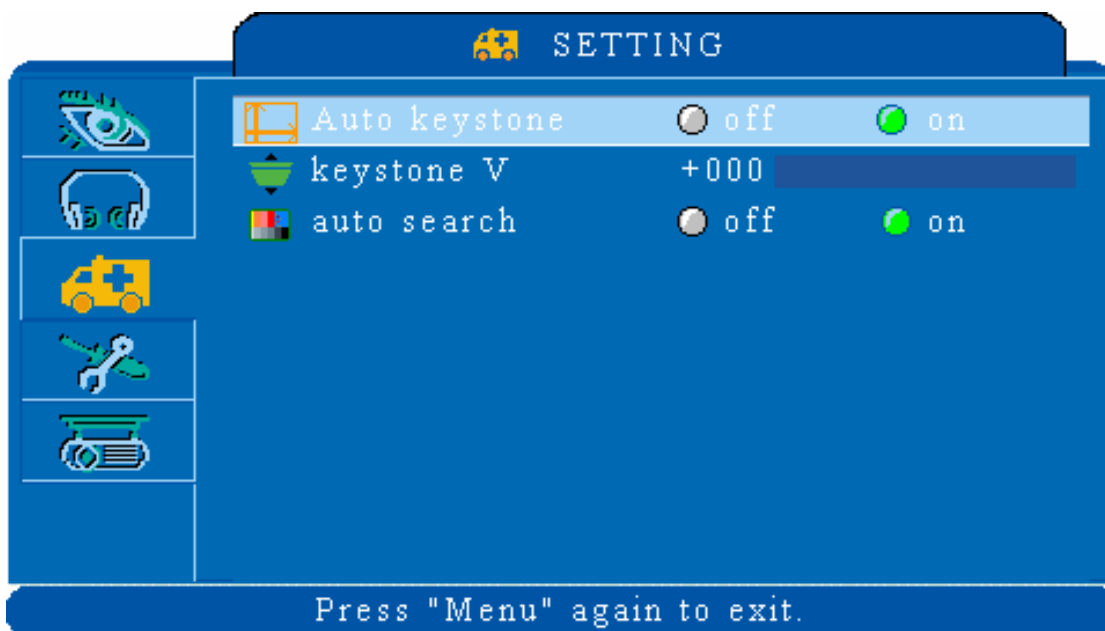
## Functions of Menu (OSD)

### Video Mode-AUDIO Menu



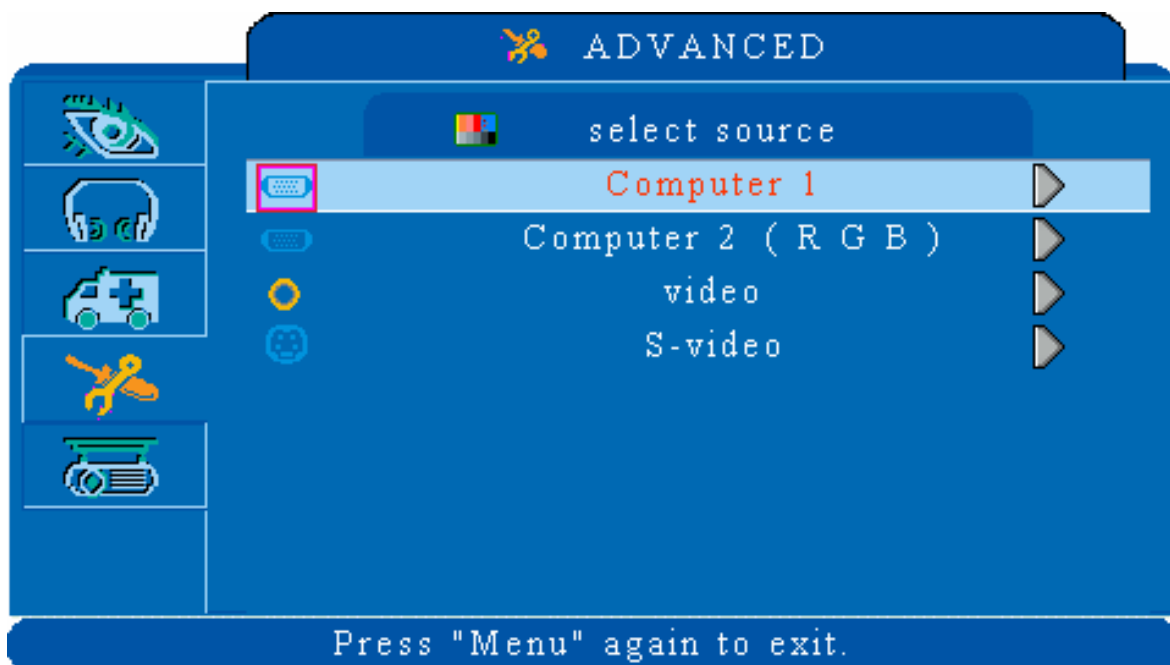
2. AUDIO		
Volume	000/040	Adjusts the volume
Mute	Off/on	Mutes the volume on/off

Video Mode-SETTING Mode



3.SETTING		
Auto keystone	off/on	Automatically Corrects keystone distortion in image i.e. press once to do once.
Keystone V	-80/+80	Corrects vertical keystone distortion in image.
Auto search	off/on	Search signal source automatically.

Video Mode-ADVANCED Menu



### Computer Mode-ADVANCED Menu

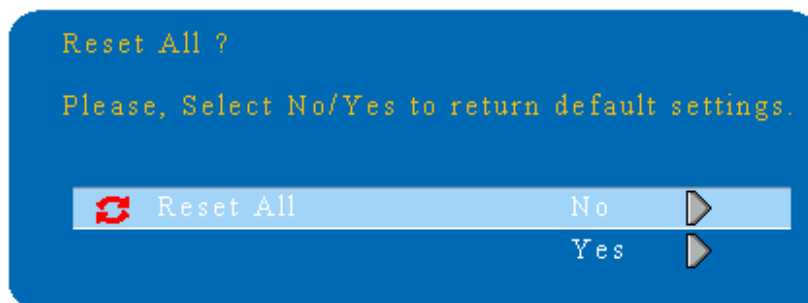
4.ADVANCED		
Zoom/pan	execute	Execute digital zoom and pan function.
Still	on/off	Freeze the current image on the screen.
Blank	on/off	Hide the image, displays a blank, black screen *(see below).
Reset all	execute	Reset all OSD Menu function to their factory default values*(see below).
Language	English	Select the language that the OSD Menu and on screen message are display in English / German / French / Spanish / Italian / Portuguese / Dutch / Swedish / Chinese(Simplified-Tranditinal) / Korean / Russian / Japanese
Resize		4:3,16:9
Select source	execute	Select the input source from: Computer 1 / Computer 2 (RGB or YPbPr) / Composite Video / S-Video
Logo	on/off	on—factory-set logo off—blue image only.
Scale mode	Normal/True	Provide the image in its original size. When the original image size larger than the screen size (1024x768), this projector enters panning mode automatically.

#### Blank on

If the projector is left in Blank mode for more than 15 minutes, the projector will automatically shut off the lamp and enter cool-down mode.

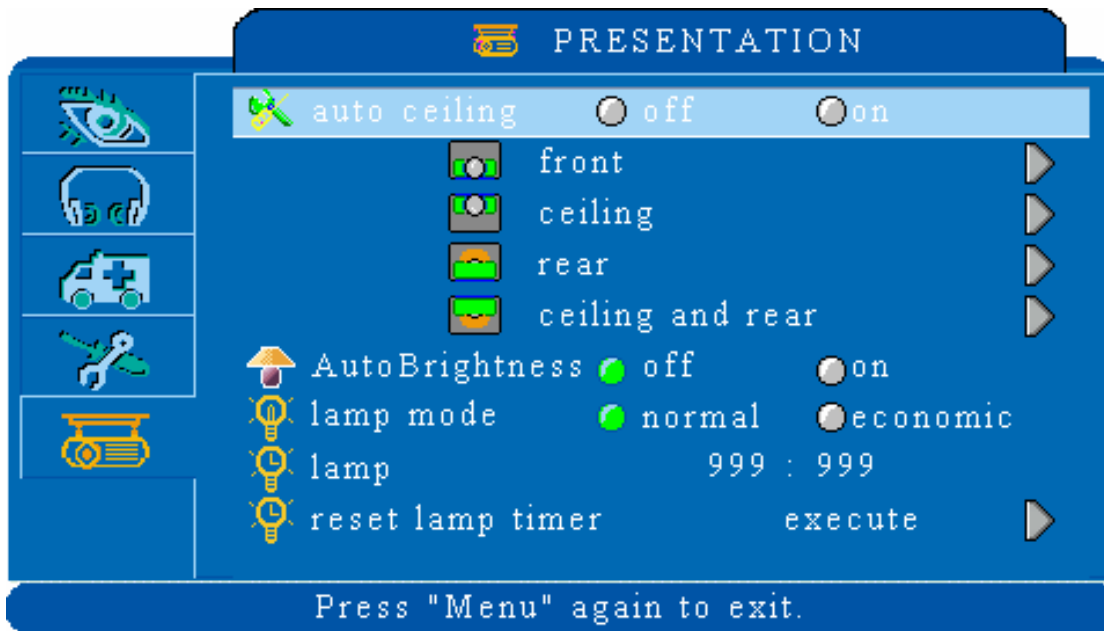
#### Reset all

- After you select [reset all] on the OSD menu, the following confirmation message will appear on the screen.



- Press reset button on the remote control or the button on the control panel to reset the OSD Menu values. Press the ESC button or ignore the message to exit the Reset All function without changing any settings.

Video Mode-PRESENTATION Menu



5. PRESENTATION		
Auto ceiling	off/on	Automatically inverts the image when the projector is turned upside down i.e. when the projector is mounted on the ceiling.
Front	execute	Normal projection mode.
Ceiling	execute	Inverts the image vertically, used when the projector is mounted upside down.
Rear	execute	Inverts the image horizontally, used when projecting onto a rear projection screen.
Ceiling and Rear	execute	Inverts the image horizontally and vertically, used when the projector is mounted upside down and projecting onto a rear projection screen.
Auto Brightness	off/on	Auto detects brightness; it turns to economic mode automatically when the brightness is low.
Lamp mode	normal economic	Economic mode reduces the lamp brightness economic to extend lamp life and quiet the projector.
Lamp		Show Lamp timer.
Reset lamp timer	execute	After changing a new lamp,execute this function for reset the Lamp timer. (see P43)

## Technical Specifications

### Mechanical Information

Projector Type	Multi-media Projector
Dimensions (W x H x D) (excluding adjustable feet)	12.20" x 3.78" x 10.63" (310 mm x 96 mm x 270 mm)
Net Weight	7.7 lbs (3.5 kg)
Feet Adjustment	0° to 14°

### Panel Resolution

LCD Panel System	0.63" TFT Active Matrix type, 3 panels
Panel Resolution	1,024 x 768 dots
Number of Pixels	2,359,296 (1,024 x 768 x 3 panels)

### Signal Compatibility

Color System	PAL, SECAM, NTSC, NTSC4.43, PAL-M, and PAL-N
High Definition TV Signal	480p, 720p and 1080i
Scanning Frequency	H-sync. 15 kHz–69 kHz, V-sync. 43–85 Hz

### Optical Information

Projection Image Size (Diagonal)	Adjustable from 40" to 300"
Throw Distance	2.6'–19.8' (0.8 m–6.0 m)
Projection Lens	F1.6-1.88, f=18.6~22.3mm (+ conversion lens x0.7, f=13.02~15.61mm) with manual zoom and focus
Projection Lamp	205 W

### Interface

Video Input Jack	RCA Type x 1
S-video Input Jack	Mini DIN 4 pin x 1
Audio Input Jacks	Mini Jack x 1
Computer Input	Analog RGB (Mini D-sub 15 pin) Terminal x 1
Computer Input	Analog RGB (Mini D-sub 15 pin) Terminal x 1 / YPbPr
Monitor Output	Analog RGB (Mini D-sub 15 pin) Terminal x 1
Service Port	Connector Mini DIN 8 pin x 1
USB Connector	USB Series B connector x 1
Audio Output Jack	Mini Jack x 1

### Audio

Internal Audio Amp	3.0 W RMS
Built-in Speaker	2 W mono

### Power

Voltage and Power Consumption	AC 100–120 V , 50/60 Hz (The U.S.A and Canada) AC 200–240 V , 50/60 Hz (Continental Europe) 250W(ECO mode 210W) , Standby 2W
-------------------------------	--

### Operating Environment

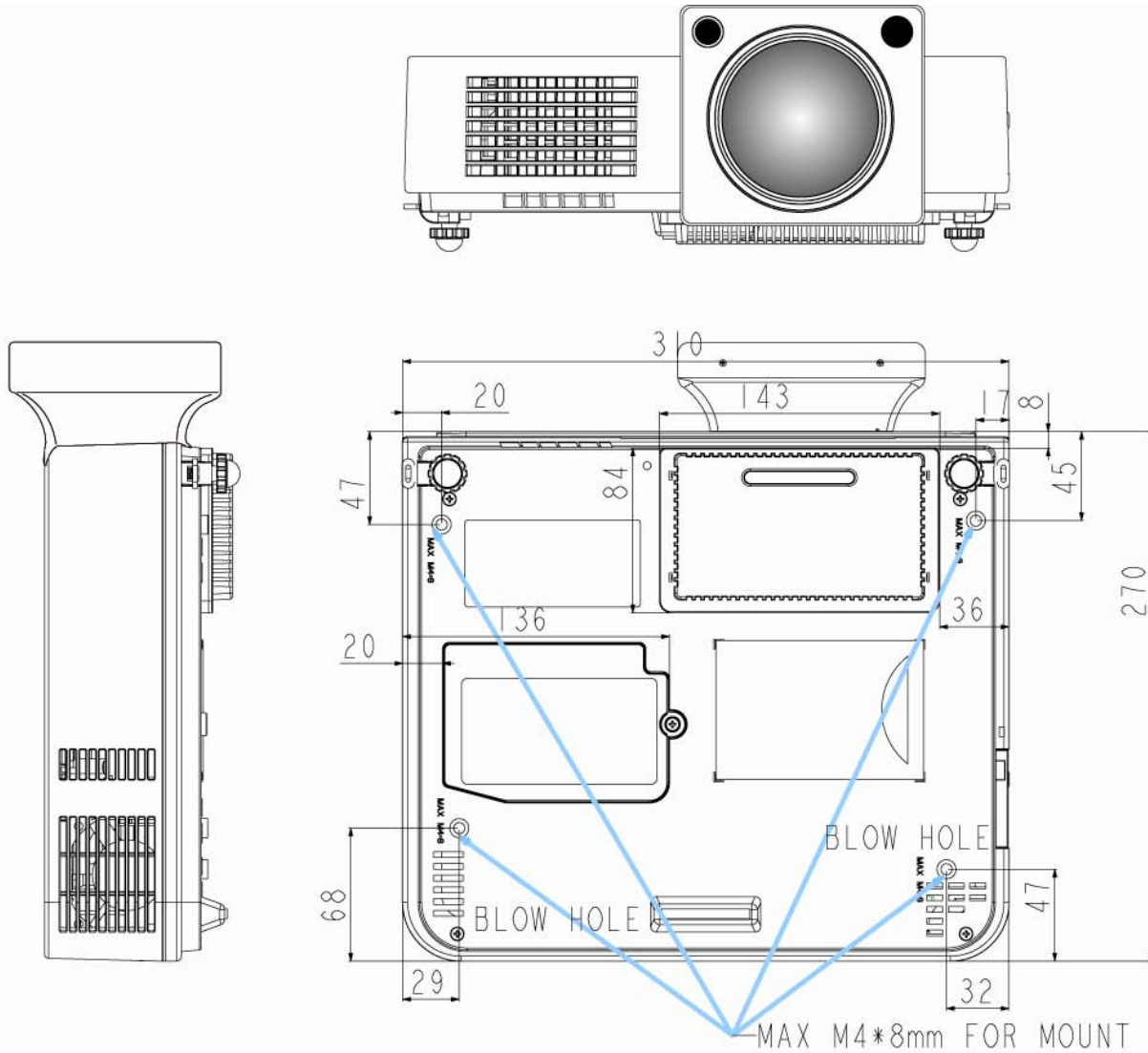
Operating Temperature	41°F–95°F (5 °C–35 °C)
Storage Temperature	14°F–140°F (-10°C–60 °C)


### Remote Control

Battery	AAA x 2
Operating Range	13.2" (4 m)/±30°
Dimensions	1.7" (W) x 0.8" (H) x 4.3" (D) (44 mm x 20 mm x 108 mm)
Net Weight	56 g (including batteries)
Laser Pointer	Class II Laser (Max. Output: 0.9 m W/Wave length: 645–660 nm)

### Ceiling Mounted Installation Guide

Attach the optional ceiling mount at four-suspension bracket fixing points when suspending the from a ceiling.



 A special method of installation is required in order to suspend the projector from the ceiling. Please ask your dealer for more details.



### Cleaning the Projector

Clean the projector cabinet by wiping it gently with a soft cloth. If necessary, the cabinet can be cleaned using a neutral detergent and a soft cloth ensure the case



### WARNING

Always unplug the projector before performing any maintenance.

### Cleaning the Lens

Use a commercially available air blower, or use lens cleaning paper and lens cleaner approved for use on optical coatings.

Do not clean the lens with harsh materials or subject the lens to shock, as it can easily become damaged. Close the lens cover when the projector not in use.

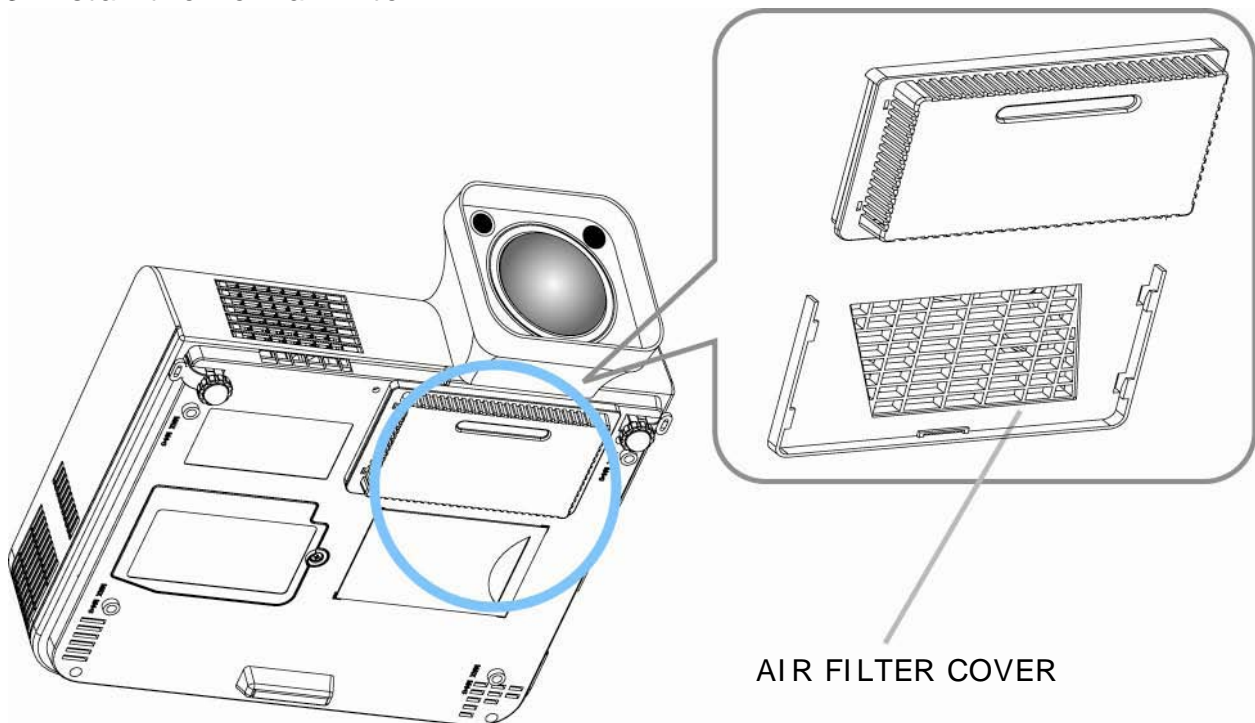
### Change Air Filter

When the air filter becomes clogged with dust, etc., the projector may overheat and turn itself off to prevent internal damage.

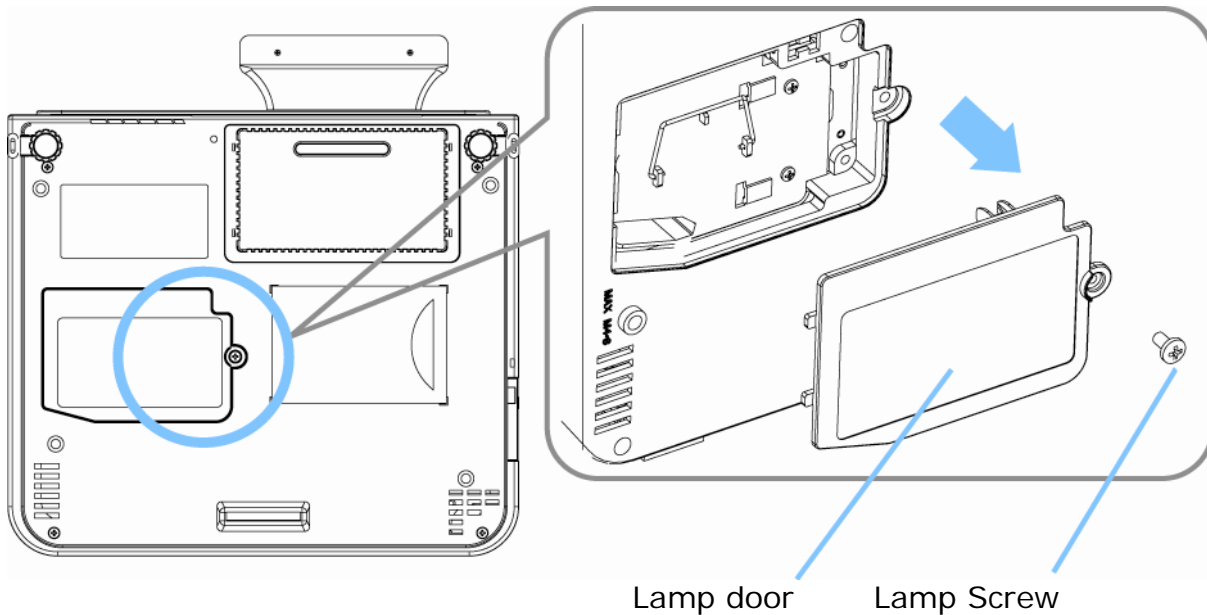
Clean the air filter every 100-hours.

\* If the filter is difficult to clean or if it is deteriorating, it should be replaced

- 1.Remove the filter cover from the bottom of projector.
- 2.Pull out the air filter.
- 3.Install the new air filter.



### Lamp Replacement



1. Remove the lamp screw from the lamp door.
2. Remove the Lamp Door.
3. Remove the two Phillips head screws that hold the lamp in place.
4. Grasp the handle on the top of the lamp and pull the lamp straight up out of the projector.
5. Slide the replacement lamp into place and press firmly to seat the lamp.
6. Reinstall the screws removed in step 3.
7. Reinstall the lamp door correctly and tighten the screw on the lamp door.
8. Please see page 43 for resetting the lamp timer.

#### CAUTION















The lamp and inside of the projector become very hot while the projection lamp is lit. Allow the projector to cool for at least 15 minutes prior to opening the lamp door.

#### WARNING

Do not touch the bulb. Touching the bulb will greatly decrease the life of the lamp and could cause the bulb to explode.

### Indicators

The Power and Lamp indicators show the status of the projector. Before requesting repair, check the projector status using the chart below. If the problem cannot be resolved contact your dealer.

Power (Green)	Lamp (Red)	Conditions	Notes
Slow flashing 	Off 	Stand by mode	Projector is ready to be turned on (normal)
On 	Off 	On mode	Projector is on and operating normally
On 	Slow flashing 	Cool-down mode	Projector is in cool-down mode and will not respond to user input (normal)
On 	Fast flashing 	Fan-fault mode	The projector has detected a problem with an internal fan, the lamp will shut off automatically, contact your dealer
Fast flashing 	On 	Lamp-cover open	The lamp cover is open or there is a problem with the lamp. If the lamp door is closed and replacing the lamp does not correct the issue, contact your dealer.
Fast flashing 	Fast flashing 	High temperature	The projector has overheated and shut the lamp off. Correct the over temp condition immediately. 1. Check that the ventilation slots are free from obstructions 2. Check the cleanliness of the air filter. 3. If the condition persists, contact your dealer
Slow flashing 	Slow flashing 	Lamp-fault mode	The lamp does not light., come back "stand by mode", and turn on the power button.

## Maintenance and Troubleshooting

Symptom	Possible cause	Remedy
The power is not turned on	The main power switch is not turned on. The power cord is disconnected.	Turn on the main power switch. Plug the power cord into an AC power outlet
No video	The input is not correctly connected. No signal input. No open lens cover.	Select the appropriate input source. Connect correctly. Remove the lens cover.
No audio	The projector is not correctly connected. The volume is set to minimum. Mute is turned on.	Check audio cable connect correctly. Adjust the volume. Press the MUTE button.
No remote function	No battery. Remote signal be obstructed	Check battery of remote controller. Remove obstacle between projector and remote controller.
Colors are pale	Color density and color matching are not correctly adjusted. Color lose.	Adjust the RGB setting. Check VGA cable.
Abnormal brightness & contrast	Brightness and contrast are not correctly adjusted. The lamp is nearing the end of its service life.	Adjust the brightness and contrast setting. Replace with a new lamp.
Video is blurred	Focus or RGB phase is out of adjustment.	Adjust the focus and phase.

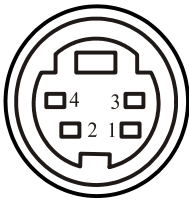
Note : Although bright spots or dark spot may appear on the screen ,this is a unique characteristic of liquid crystal displays,and it does not constitute or imply a machine defect.

<b>List of Supported Monitor Displays</b>		
Computer mode		
Signal	Refresh Rate(Hz)	Resolution(dots)
VGA	60	640X480
VESA	60/72/75/85	640X480
SVGA	56/60/72/75/85	800X600
XGA	60/70/75/85	1024X768
SXGA	70/75	1152X864
SXGA	60/75	1280X960
SXGA	60	1280X1024
MAC	67	640x480
MAC	75	832x624
MAC	75	1024x768
MAC	75	1152x870
Component(YPbPr)		
Signal	Refresh Rate(Hz)	Resolution(dots)
SDTV(480i)	30	720X480
SDTV(480p)	60	720X480
HDTV(720p)	60	1280X720
HDTV(1080i)	30	1920x1080
Composite/S-video		
Signal	Refresh Rate(Hz)	Resolution(dots)
TV(NTSC)	60	720X480
TV(PAL,SECAM)	50	720X576

## Configuration of Terminal

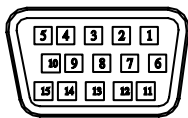
### Configurations of Terminal

#### S-Video signal



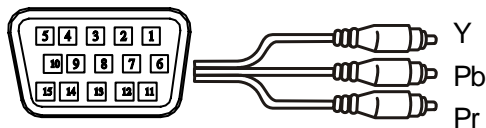
	Signal name	Connection
4	Y signal	Y
2	return(GND)	GND
3	C signal	C
1	return(GND)	GND

#### Analog RGB Input/output



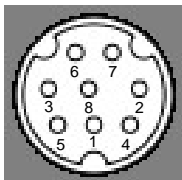
	Signal name	Connection		Signal name	Connection
15	R signal Input	R	11	GND	GND
14	G signal Input	G	12	GND	GND
13	B signal Input	B	7	DDC Power	DDC Power
5	N.C	N.C	4	DDC_Data	DDC/SDA
6	GND	GND	3	HSYNC/TTL/ comp.sync	H
10	R return(GND)	GN	2	VSYNC	V
9	G return(GND)	GND	1	DDC_Clock	DDC/SCL
8	B ret (GND)	GND			

#### Y,Pb,Pr



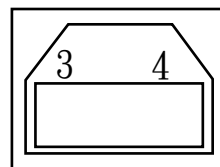
	Signal name	Connection		Signal name	Connection
15	R signal Input	Pr	11	GND	GND
14	G signal Input	Y	12	GND	GND
13	B signal Input	Pb	2	N.C	N.C
1	N.C	N.C	3	N.C	N.C
6	GND	GND	4	N.C	N.C
10	R return(GND)	GND	5	N.C	N.C
9	G return(GND)	GND	7	N.C	N.C
8	B return(GND)	GND			

#### RS-232C input



2 TXD	5
3 RXD	3
5 GND	4,8

#### USB Connector



	Signal name
4	VCC
3	DATA-
1	DATA+
2	GND

1 2

# EIKI

## **U.S.A.**

EIKI International, Inc.  
30251 Esperanza  
Rancho Santa Margarita  
CA 92688-2132  
U.S.A.  
Tel : 800-242-3454 (949)-457-0200  
Fax : 800-457-3454 (949)-457-7878  
E-Mail : usa@eiki.com

## **Deutschland & Österreich**

EIKI Deutschland GmbH  
Am Frauwald 12  
65510 Idstein  
Deutschland  
Tel : 06126-9371-0  
Fax : 06126-9371-11  
E-Mail : info@eiki.de

## **China**

EIKI (Shanghai) Co.,LTD  
1. Dapu Road, Golden Magnolia Plaza  
#2109 Shanghai,  
200023 China  
Tel : 86-21-5396-0088  
Fax : 86-21-5396-0318  
E-Mail : info@eiki-china.com

## **Canada**

EIKI CANADA - Eiki International, Inc.  
P.O. Box 156, 310 First St. - Unit 2,  
Midland, ON, L4R 4K8, Canada  
Tel : 800-563-3454 (705)-527-4084  
Fax : 800-567-4069 (705)-527-4087  
E-Mail : canada@eiki.com

## **Eastern Europe**

EIKI CZECH spol. s.r.o.  
Umelecká 15  
170 00 Praha 7  
Czech Republic  
Tel : +42 02 20570024  
          +42 02 20571413  
Fax : +42 02 20571411  
E-Mail : easterneurope@eiki.de

## **Japan & World wide**

EIKI Industrial Company Limited.  
4-12 Banzai-Cho, Kita-Ku, Osaka,  
530-0028 Japan  
Tel : +81-6-6311-9479  
Fax : +81-6-6311-8486

**WorldWide Website    <http://www.eiki.com>**